

- Fittings Mod. 1620

Product code: 1620 6/4-1/4

Datasheet creation date: 10/03/2025 08:53

Check the most updated document online [click here](#)

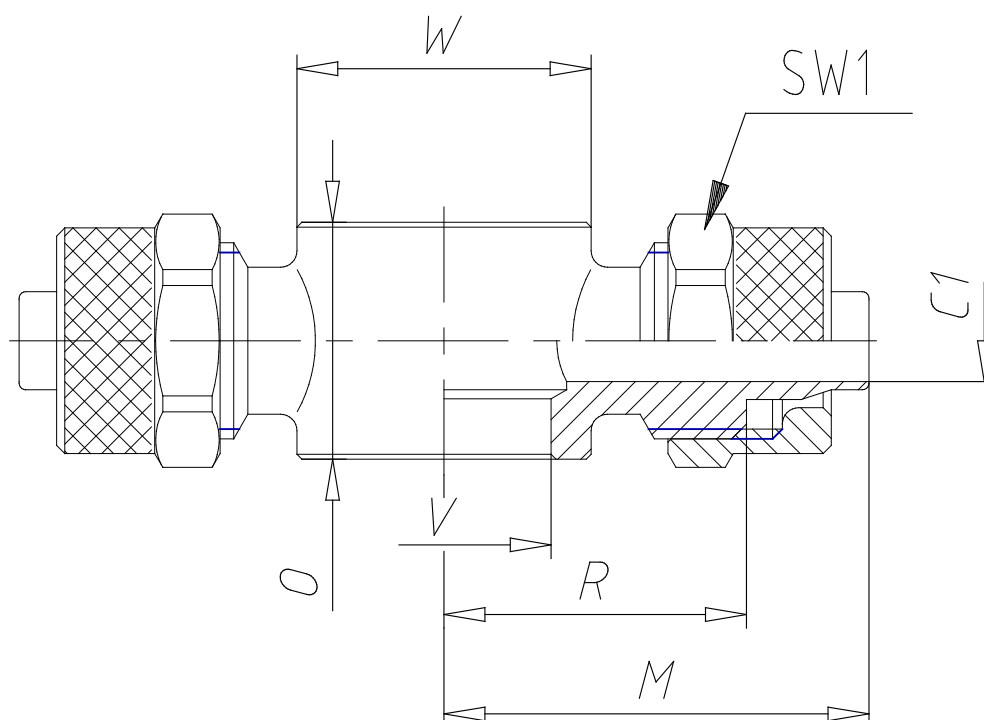


TECHNICAL DATA

Mod.	1620 6/4-1/4
------	--------------

- Fittings Mod. 1620

Product code: 1620 6/4-1/4



■ DIMENSIONS

Tube	6/4
C1 (mm)	3
M (mm)	26
O (mm)	14.5
R (mm)	18.5
V (mm)	13.2
W	Ø18
SW1 (mm)	12