

- Fittings Mod. 1620

Product code: 1620 6/4-1/8

Datasheet creation date: 10/03/2025 08:53

Check the most updated document online [click here](#)

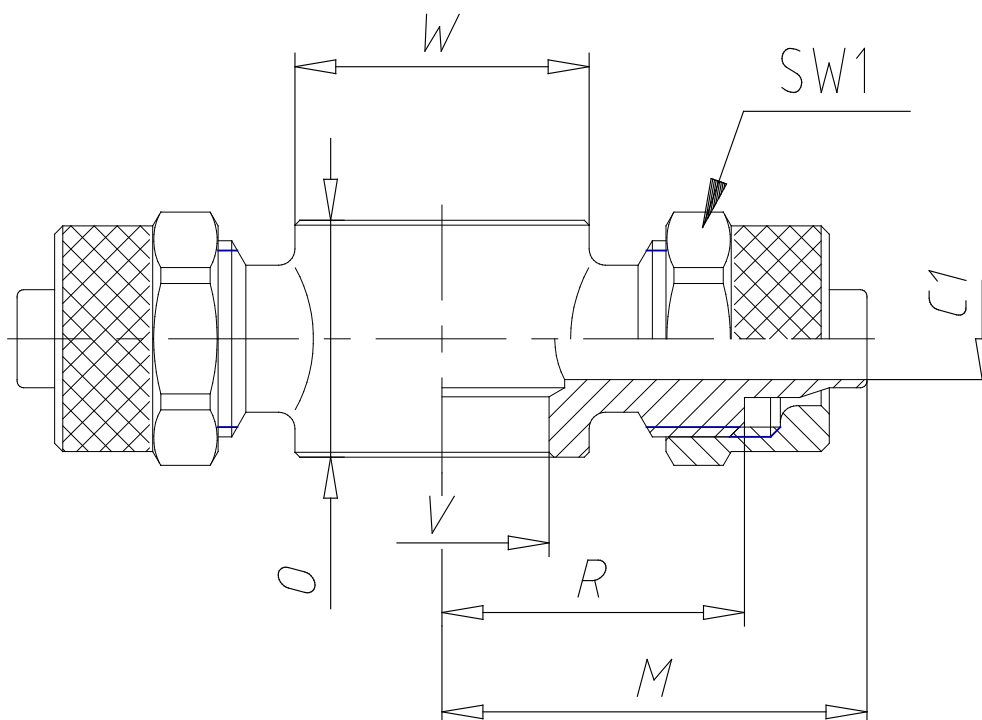


■ TECHNICAL DATA

Mod.	1620 6/4-1/8
------	--------------

- Fittings Mod. 1620

Product code: 1620 6/4-1/8



■ DIMENSIONS

Tube	6/4
C1 (mm)	3
M (mm)	24
O (mm)	14.5
R (mm)	16.5
V (mm)	9.8
W	Ø14
SW1 (mm)	12