

Mod. 1631 - Fittings Serie 6000 inch

Product code: 1631 01-32

Datasheet creation date: 10/03/2025 08:53

Check the most updated document online [click here](#)

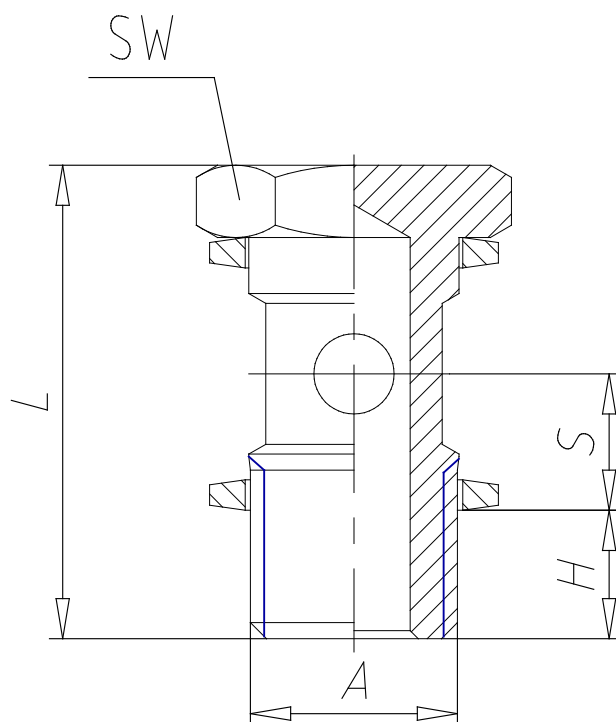


TECHNICAL DATA

Mod.	1631 01-32
------	------------

Mod. 1631 - Fittings Serie 6000 inch

Product code: 1631 01-32



DIMENSIONS

UNF-NPTF	10-32
ND (INCH)	0.405
H (INCH)	0.157
L (INCH)	0.709
S (INCH)	0.177
SW (INCH)	0.315