

- Fittings Mod. 1635 01

Product code: 1635 01-M12X1,5

Datasheet creation date: 10/03/2025 08:54

Check the most updated document online [click here](#)

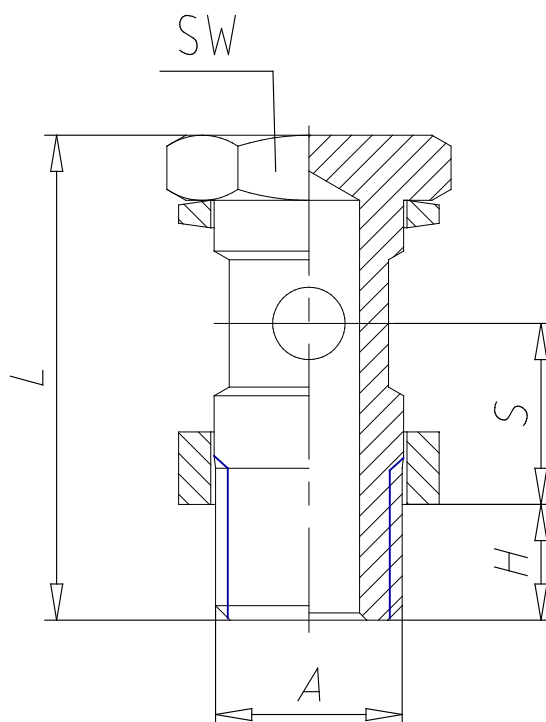


TECHNICAL DATA

Mod.	1635 01-M12X1,5
------	-----------------

- Fittings Mod. 1635 01

Product code: 1635 01-M12X1,5



■ DIMENSIONS

A	M12 x 1.5
H (mm)	8
L (mm)	33.5
heavy (mm)	12.5
SW (mm)	17
Assembly	Models can be assembled with 1/4 banjo fittings.