

- Fittings Mod. 1635 02

Product code: 1635 02-1/4

Datasheet creation date: 10/03/2025 08:54

Check the most updated document online [click here](#)

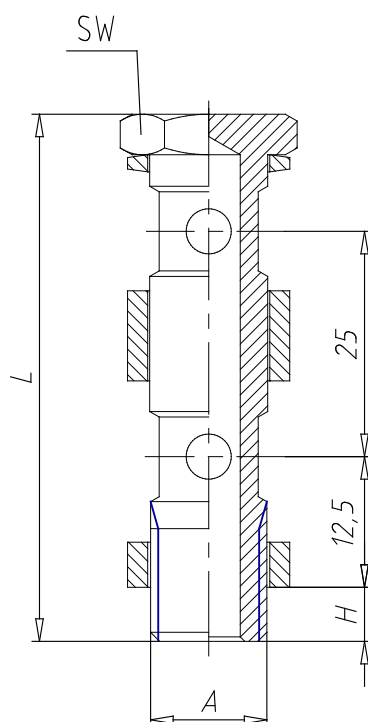


■ TECHNICAL DATA

Mod.	1635 02-1/4
------	-------------

- Fittings Mod. 1635 02

Product code: 1635 02-1/4



■ DIMENSIONS

A	G1/4
H (mm)	8
L (mm)	58.5
SW (mm)	17