

Minivalves - Series 2 235-000/234-000

Product code: 234-000

Datasheet creation date: 10/03/2025 12:06

Check the most updated document online [click here](#)

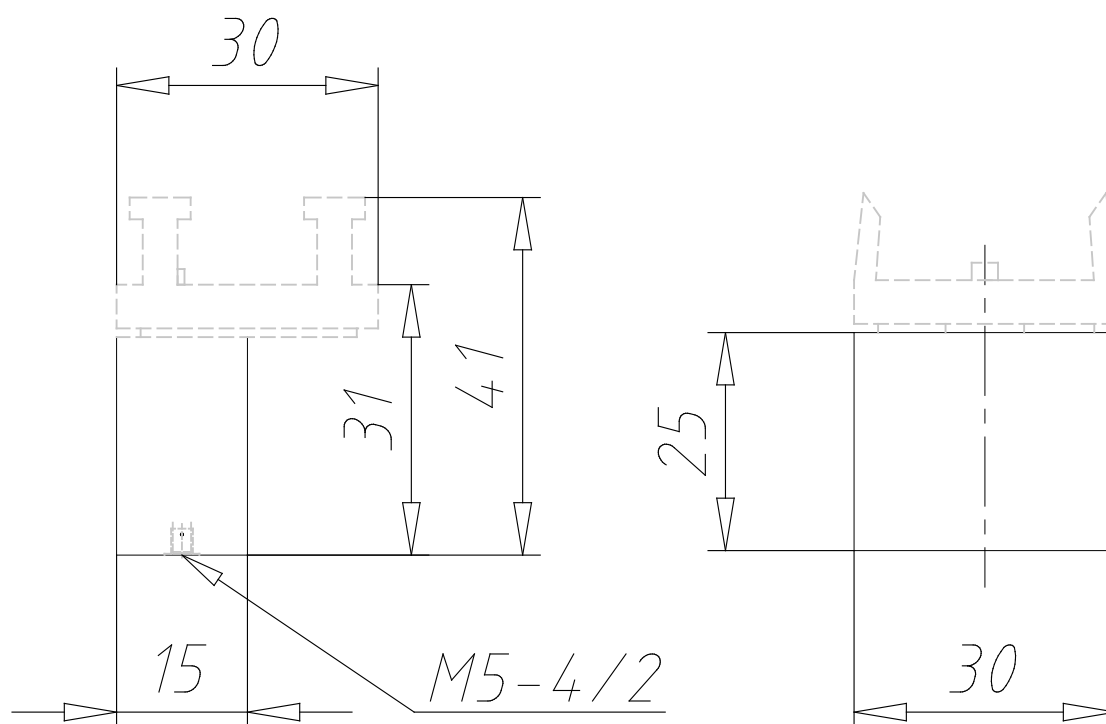


TECHNICAL DATA

| | |
|---------------------------------|-------------------------------|
| Mod. | 234-000 |
| Operating pressure (bar) | 2+8 bar |
| Flow rate | 60NL/min |
| Actuating force | 7N |
| Activity | sensitive lever spring return |

Minivalves - Series 2 235-000/234-000

Product code: 234-000



DIMENSIONS

| | |
|---------------------------------|-------------------------------|
| Mod. | 234-000 |
| Operating pressure (bar) | 2÷8 bar |
| Flow rate | 60NL/min |
| Actuating force | 7N |
| Activity | sensitive lever spring return |