

Mechanically operated minivalves - Series 2 / 234-945

Product code: 234-945

Datasheet creation date: 10/03/2025 12:06

Check the most updated document online [click here](#)

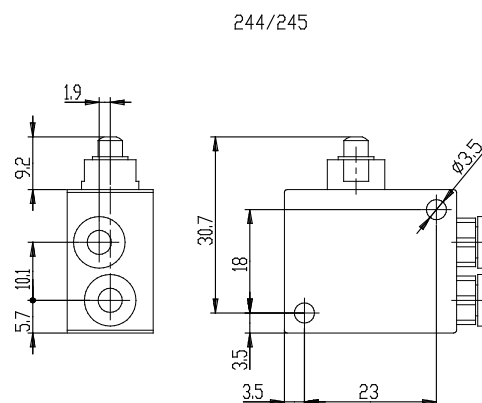
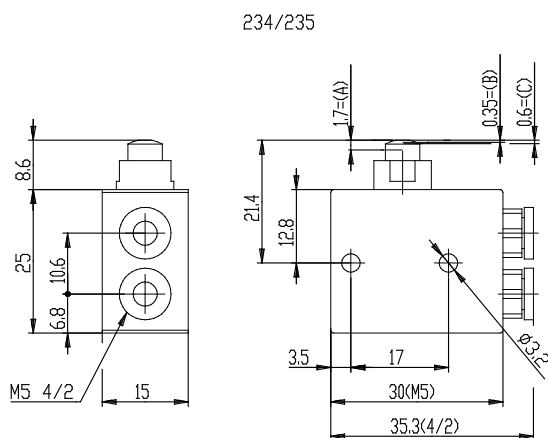


TECHNICAL DATA

Mod.	234-945
Operating pressure (bar)	2 ÷ 10
Flow rate	60NL/min
Actuating force	a 6 bar =6N
Activity	Actuating plunger

Mechanically operated minivalves - Series 2 / 234-945

Product code: 234-945



DIMENSIONS

Mod.	234-945
Operating pressure (bar)	2 ÷ 10
Flow rate	60NL/min
Actuating force	a 6 bar =6N
Activity	Actuating plunger