

Mechanically operated minivalves - Series 2 / 234-965

Product code: 234-965

Datasheet creation date: 10/03/2025 12:06

Check the most updated document online [click here](#)

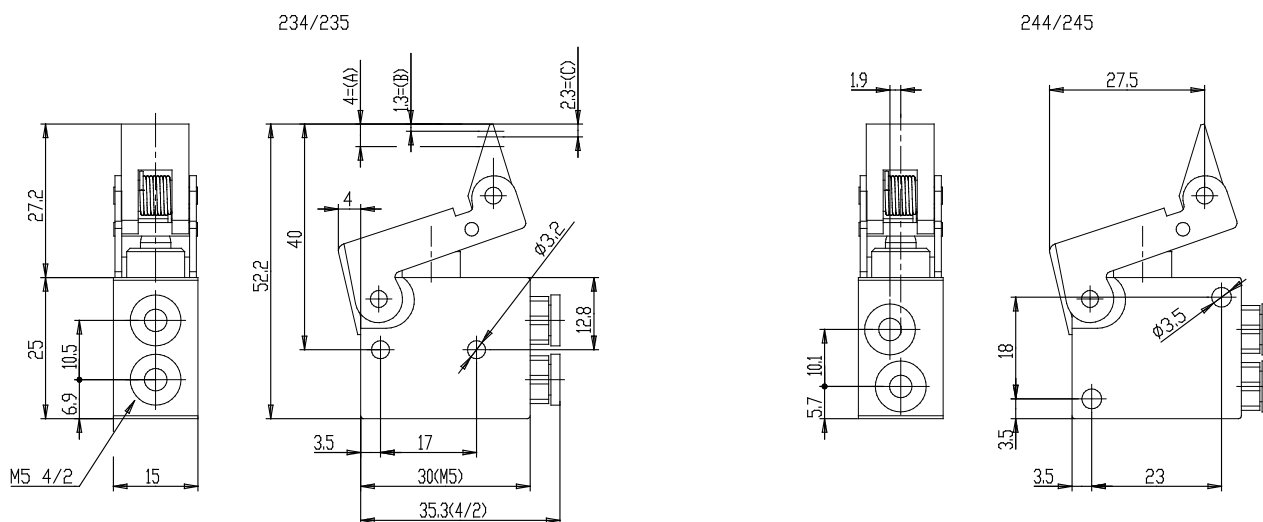


TECHNICAL DATA

Mod.	234-965
Operating pressure (bar)	2 ÷ 10
Flow rate NI/min	60NL/min
Actuating force	a 6 bar =6N
Thread port (mm)	Ø4
Activity	Actuating unidirectional lever / roller

Mechanically operated minivalves - Series 2 / 234-965

Product code: 234-965



DIMENSIONS

Mod.	234-965
Operating pressure (bar)	2 ÷ 10
Flow rate NI/min	60NL/min
Actuating force	a 6 bar =6N
Thread port (mm)	Ø4
Activity	Actuating unidirectional lever / roller