

Minivalves - Series 2 235-000/234-000

Product code: 235-000

Datasheet creation date: 10/03/2025 12:06

Check the most updated document online [click here](#)

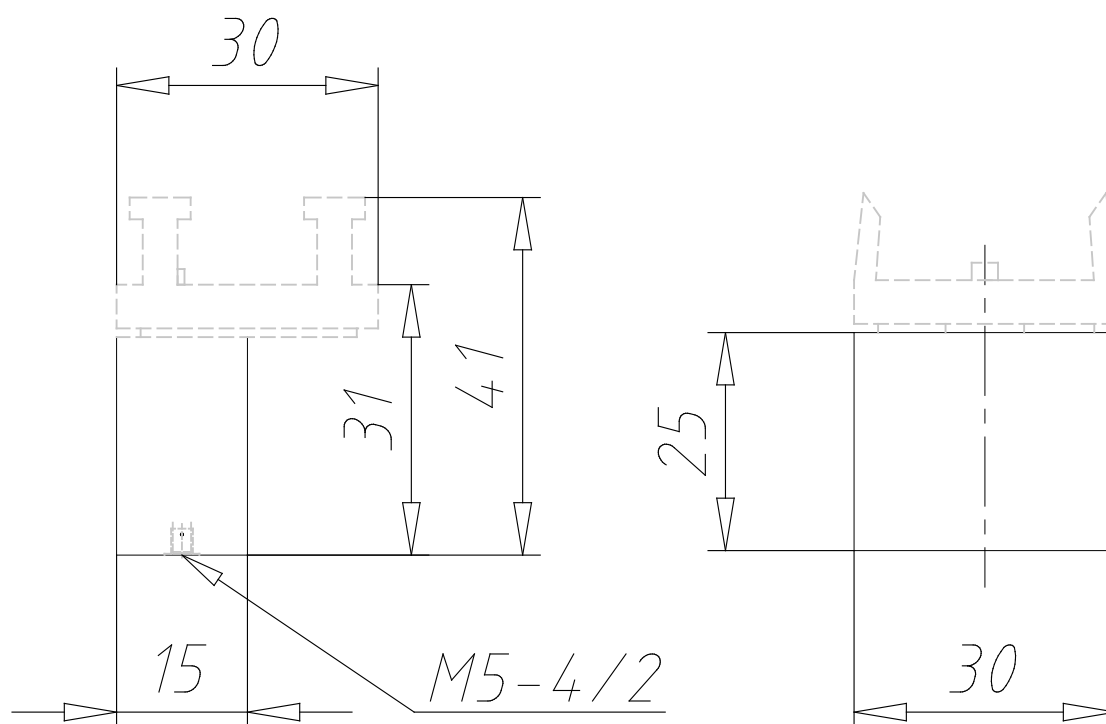


TECHNICAL DATA

Mod.	235-000
Operating pressure (bar)	2+8 bar
Flow rate	60NL/min
Actuating force	7N
Activity	sensitive lever spring return

Minivalves - Series 2 235-000/234-000

Product code: 235-000



DIMENSIONS

Mod.	235-000
Operating pressure (bar)	2÷8 bar
Flow rate	60NL/min
Actuating force	7N
Activity	sensitive lever spring return