

## Minicylinders - Series 16 - 23 - 24 - 25

Product code: 24N2A25RL100

Datasheet creation date: 07/03/2025 18:27

Check the most updated document online [click here](#)

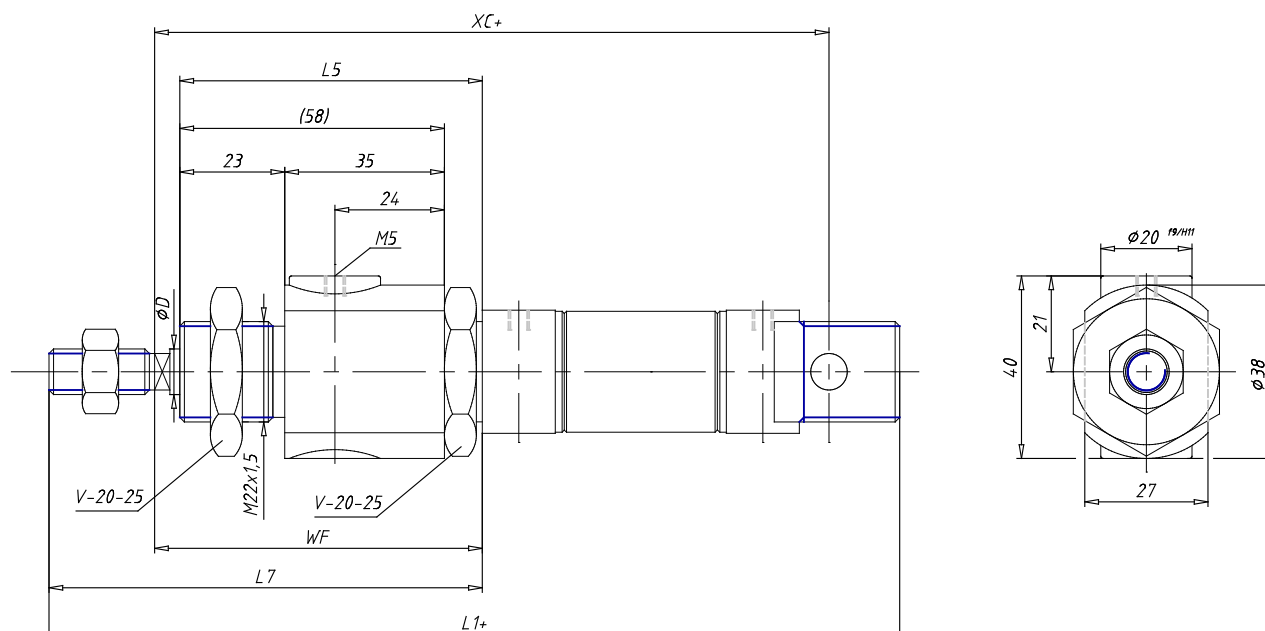


### TECHNICAL DATA

<b>Series (mm)</b>	24
<b>Bore (mm)</b>	25
<b>Version</b>	N = standard
<b>Operation</b>	2 = double acting
<b>Materials</b>	A = rolled stainless steel stem - stainless steel jacket
<b>Construction</b>	RL = cylinder with rod lock
<b>Stroke type</b>	standard
<b>Stroke (mm)</b>	100
<b>Rod seals material</b>	= standard
<b>Extended rod (mm)</b>	0

## Minicylinders - Series 16 - 23 - 24 - 25

Product code: 24N2A25RL100



### DIMENSIONS

EW (mm)	16
KW (mm)	10
BE	M22x1,5
KK	M10x1,25
$\varnothing CD$ (mm)	8
D1 (mm)	27.0
EE	G1/8
$\varnothing D2$ (mm)	10
L1 (mm)	289.5
XC (mm)	252
L2 (mm)	169.5
AM (mm)	22
L3 (mm)	20
L4 (mm)	8.0
L5 (mm)	70
L (mm)	12
WF (mm)	76
L6 (mm)	16
L7 (mm)	98
KV (mm)	32
SW (mm)	9
D (mm)	27.0
D3 (mm)	27