

Minicylinders - Series 16 - 23 - 24 - 25

Product code: 24N3A25RL030

Datasheet creation date: 07/03/2025 18:29

Check the most updated document online [click here](#)

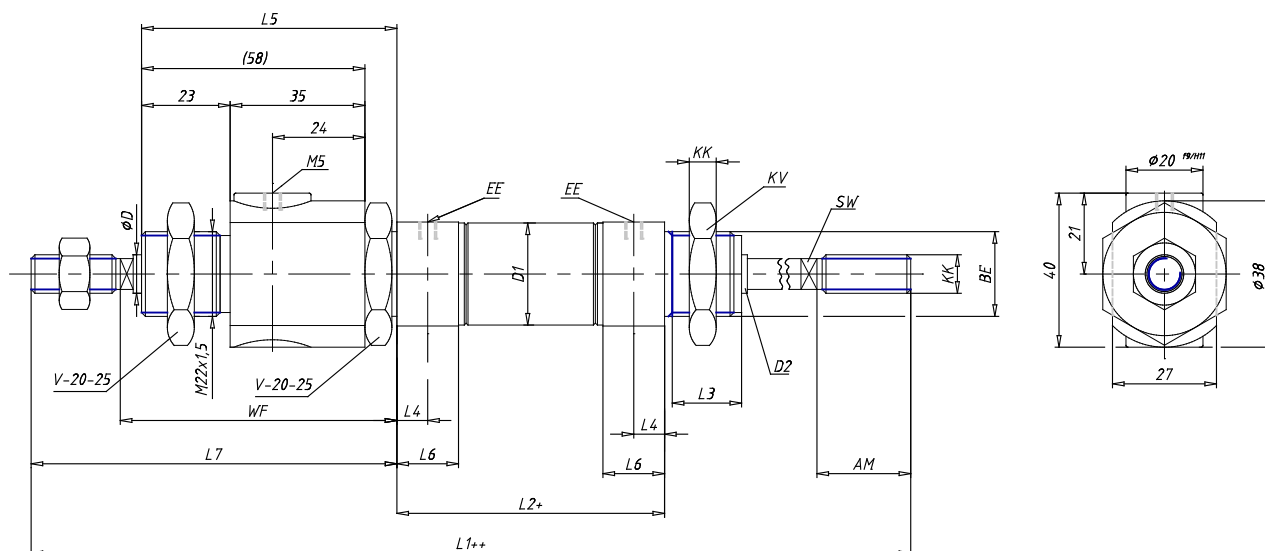


TECHNICAL DATA

Series (mm)	24
Bore (mm)	25
Version	N = standard
Operation	2 = double acting, through rod
Materials	A = rolled stainless steel stem - stainless steel jacket
Construction	RL = cylinder with rod lock
Stroke type	variable
Stroke (mm)	30
Rod seals material	= standard
Extended rod (mm)	0

Minicylinders - Series 16 - 23 - 24 - 25

Product code: 24N3A25RL030



DIMENSIONS

EW (mm)	16
KW (mm)	10
BE	M22x1,5
KK	M10x1,25
ØCD (mm)	8
D1 (mm)	27.0
EE	G1/8
ØD2 (mm)	10
L1 (mm)	307.5
XC (mm)	0
L2 (mm)	99.5
AM (mm)	22
L3 (mm)	20
L4 (mm)	8.0
L5 (mm)	22
L (mm)	12
WF (mm)	76
L6 (mm)	16
L7 (mm)	50
KV (mm)	32
SW (mm)	9
D (mm)	27.0
D3 (mm)	27