

## Mod. 2500 - Fittings Serie 2000

Product code: 2500 1/8

Datasheet creation date: 10/03/2025 02:48

Check the most updated document online [click here](#)

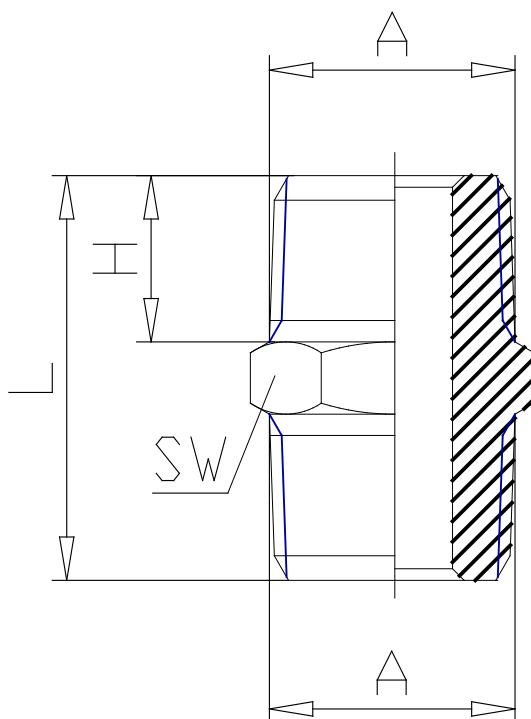


### ■ TECHNICAL DATA

Mod.	2500 1/8
------	----------

## Mod. 2500 - Fittings Serie 2000

Product code: 2500 1/8



### **DIMENSIONS**

<b>A</b>	R1/8
<b>H (mm)</b>	7.5
<b>L (mm)</b>	19.5
<b>SW (mm)</b>	12