

Mod. 2520 - Fittings Serie 2000

Product code: 2520 3/8-1/2

Datasheet creation date: 10/03/2025 02:49

Check the most updated document online [click here](#)

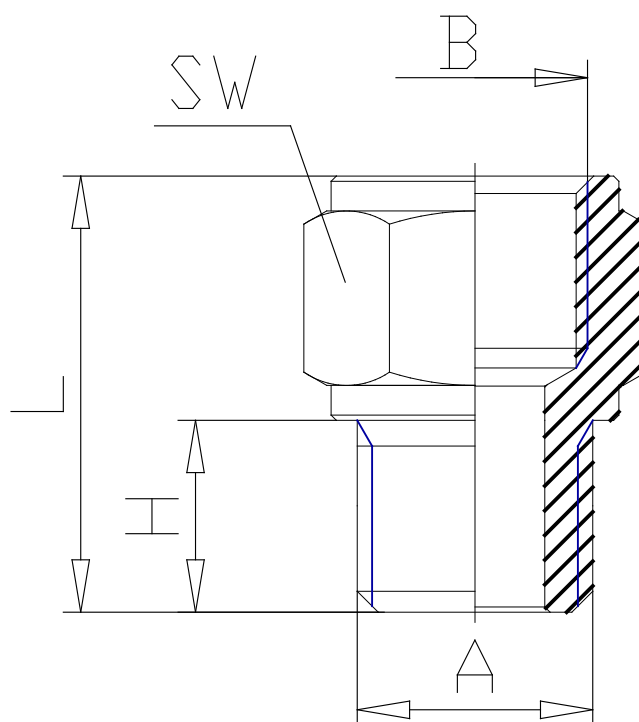


■ TECHNICAL DATA

Mod.	2520 3/8-1/2
------	--------------

Mod. 2520 - Fittings Serie 2000

Product code: 2520 3/8-1/2



DIMENSIONS

A	R3/8
B	G1/2
H (mm)	11.5
L (mm)	28.0
SW (mm)	24