

## Mod. 2521 - Fittings Serie 2000

Product code: 2521 1/4-3/8

Datasheet creation date: 10/03/2025 02:49

Check the most updated document online [click here](#)

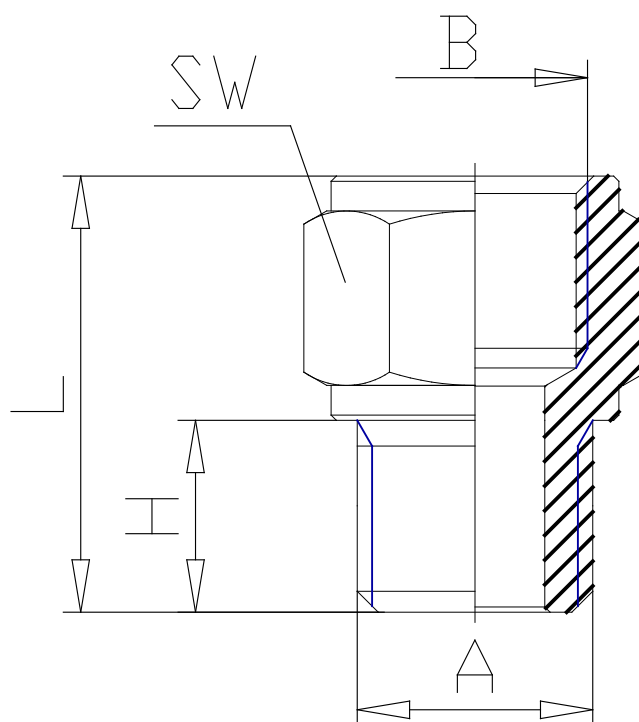


### ■ TECHNICAL DATA

Mod.	2521 1/4-3/8
------	--------------

## Mod. 2521 - Fittings Serie 2000

Product code: 2521 1/4-3/8



### DIMENSIONS

<b>A</b>	G1/4
<b>B</b>	G3/8
<b>H (mm)</b>	8
<b>L (mm)</b>	20.5
<b>SW (mm)</b>	20