

Mod. 2521 - Fittings Serie 2000

Product code: 2521 1/8-3/8

Datasheet creation date: 10/03/2025 02:50

Check the most updated document online [click here](#)

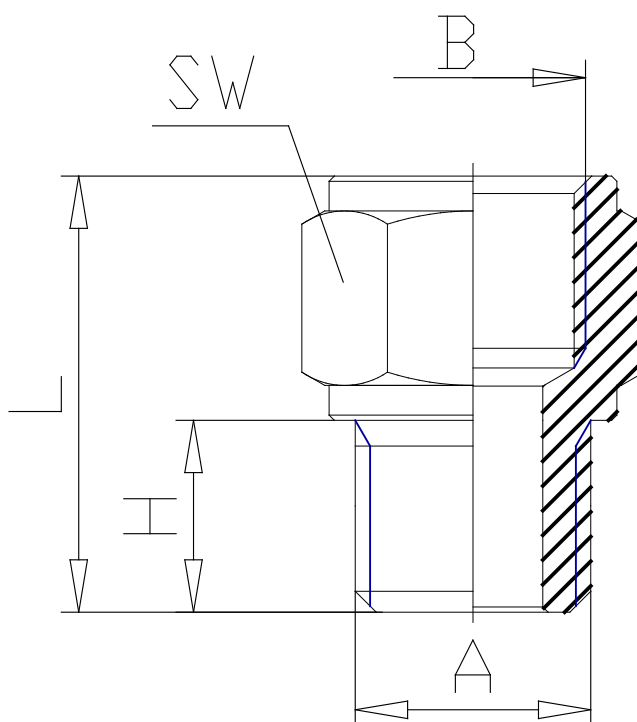


■ TECHNICAL DATA

Mod.	2521 1/8-3/8
------	--------------

Mod. 2521 - Fittings Serie 2000

Product code: 2521 1/8-3/8



DIMENSIONS

A	G1/8
B	G3/8
H (mm)	6
L (mm)	18.5
SW (mm)	20