

Minicylinders - Series 16 - 23 - 24 - 25

Product code: 25N2A25RL040

Datasheet creation date: 07/03/2025 18:53

Check the most updated document online [click here](#)

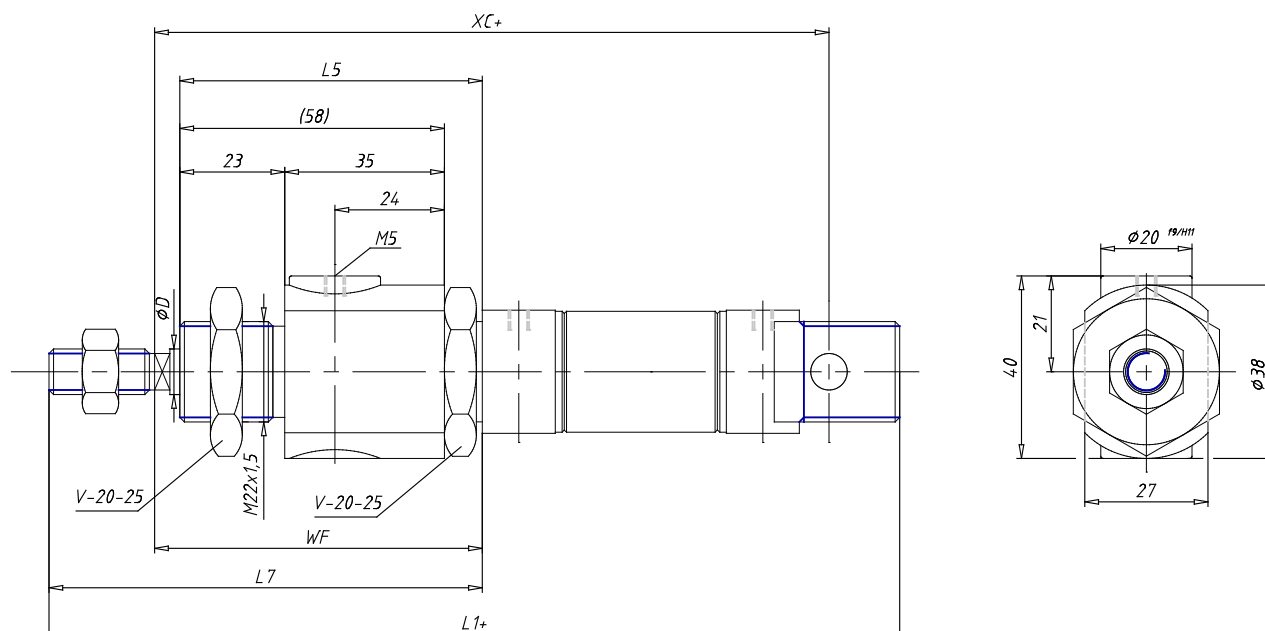


TECHNICAL DATA

Series (mm)	25
Bore (mm)	25
Version	N = standard
Operation	2 = double acting
Materials	A = rolled stainless steel stem - stainless steel jacket
Construction	RL = cylinder with rod lock
Stroke type	standard
Stroke (mm)	40
Rod seals material	= standard
Extended rod (mm)	0

Minicylinders - Series 16 - 23 - 24 - 25

Product code: 25N2A25RL040



DIMENSIONS

EW (mm)	16
KW (mm)	10
BE	M22x1,5
KK	M10x1,25
$\varnothing CD$ (mm)	8
D1 (mm)	27.0
EE	G1/8
$\varnothing D2$ (mm)	10
L1 (mm)	229.5
XC (mm)	192
L2 (mm)	109.5
AM (mm)	22
L3 (mm)	20
L4 (mm)	8.0
L5 (mm)	70
L (mm)	12
WF (mm)	76
L6 (mm)	16
L7 (mm)	98
KV (mm)	32
SW (mm)	9
D (mm)	27.0
D3 (mm)	27