

## Minicylinders - Series 16 - 23 - 24 - 25

Product code: 25N2A25RL160

Datasheet creation date: 07/03/2025 18:53

Check the most updated document online [click here](#)

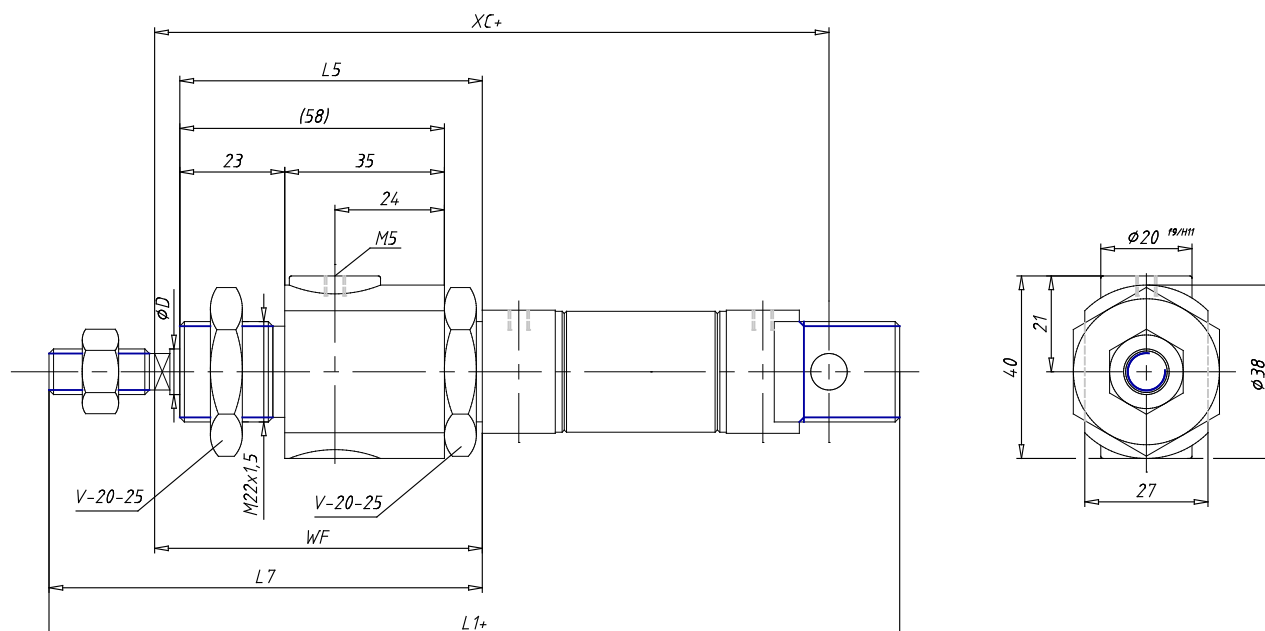


### TECHNICAL DATA

|                           |  |
|---------------------------|--|
| <b>Series (mm)</b>        | 25   |
| <b>Bore (mm)</b>          | 25   |
| <b>Version</b>            | N = standard   |
| <b>Operation</b>          | 2 = double acting  |
| <b>Materials</b>          | A = rolled stainless steel stem - stainless steel jacket |
| <b>Construction</b>       | RL = cylinder with rod lock                              |
| <b>Stroke type</b>        | standard   |
| <b>Stroke (mm)</b>        | 160  |
| <b>Rod seals material</b> | = standard   |
| <b>Extended rod (mm)</b>  | 0  |

## Minicylinders - Series 16 - 23 - 24 - 25

Product code: 25N2A25RL160



### DIMENSIONS

|                |          |
|----------------|----------|
| EW (mm)        | 16       |
| KW (mm)        | 10       |
| BE             | M22x1,5  |
| KK             | M10x1,25 |
| $\phi CD$ (mm) | 8        |
| D1 (mm)        | 27.0     |
| EE             | G1/8     |
| $\phi D2$ (mm) | 10       |
| L1 (mm)        | 349.5    |
| XC (mm)        | 312      |
| L2 (mm)        | 229.5    |
| AM (mm)        | 22       |
| L3 (mm)        | 20       |
| L4 (mm)        | 8.0      |
| L5 (mm)        | 70       |
| L (mm)         | 12       |
| WF (mm)        | 76       |
| L6 (mm)        | 16       |
| L7 (mm)        | 98       |
| KV (mm)        | 32       |
| SW (mm)        | 9        |
| D (mm)         | 27.0     |
| D3 (mm)        | 27       |