

Minicylinders - Series 16 - 23 - 24 - 25

Product code: 25N2A25RL300

Datasheet creation date: 07/03/2025 18:53

Check the most updated document online [click here](#)

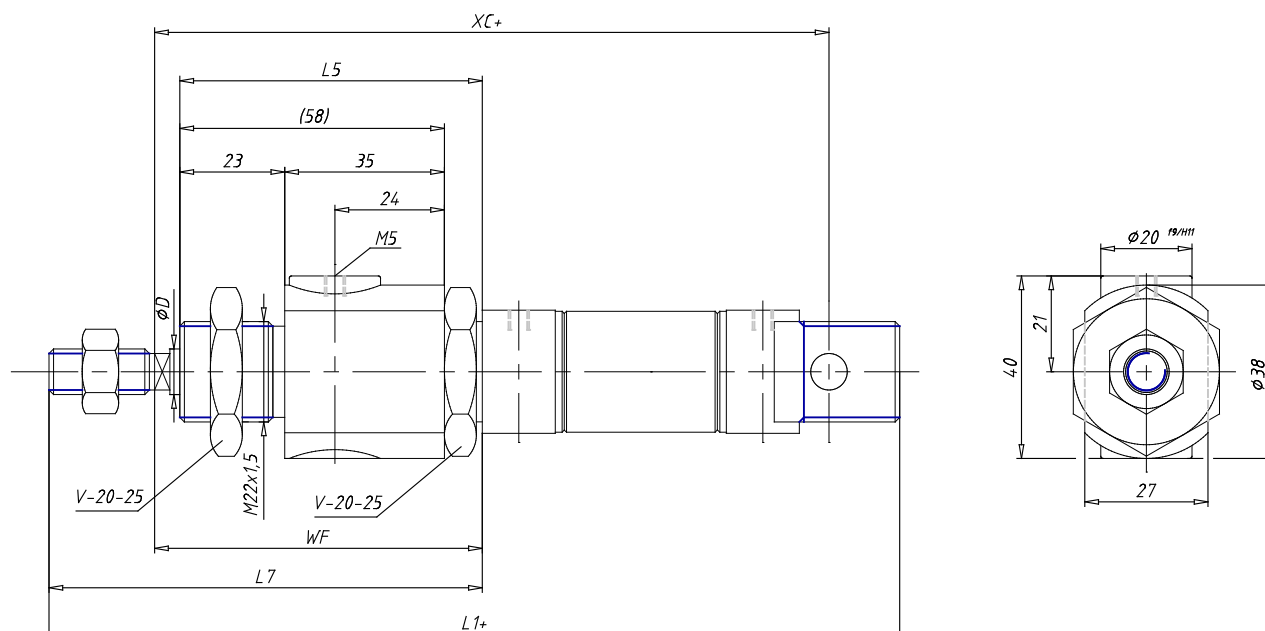


TECHNICAL DATA

| | |
|---------------------------|----------------------------------------------------------|
| Series (mm) | 25 |
| Bore (mm) | 25 |
| Version | N = standard |
| Operation | 2 = double acting |
| Materials | A = rolled stainless steel stem - stainless steel jacket |
| Construction | RL = cylinder with rod lock |
| Stroke type | standard |
| Stroke (mm) | 300 |
| Rod seals material | = standard |
| Extended rod (mm) | 0 |

Minicylinders - Series 16 - 23 - 24 - 25

Product code: 25N2A25RL300



DIMENSIONS

| | |
|----------------|----------|
| EW (mm) | 16 |
| KW (mm) | 10 |
| BE | M22x1,5 |
| KK | M10x1,25 |
| ϕCD (mm) | 8 |
| D1 (mm) | 27.0 |
| EE | G1/8 |
| $\phi D2$ (mm) | 10 |
| L1 (mm) | 489.5 |
| XC (mm) | 452 |
| L2 (mm) | 369.5 |
| AM (mm) | 22 |
| L3 (mm) | 20 |
| L4 (mm) | 8.0 |
| L5 (mm) | 70 |
| L (mm) | 12 |
| WF (mm) | 76 |
| L6 (mm) | 16 |
| L7 (mm) | 98 |
| KV (mm) | 32 |
| SW (mm) | 9 |
| D (mm) | 27.0 |
| D3 (mm) | 27 |