

## Mod. 2611 - Fittings Serie 2000

Product code: 2611 1/8

Datasheet creation date: 10/03/2025 02:52

Check the most updated document online [click here](#)

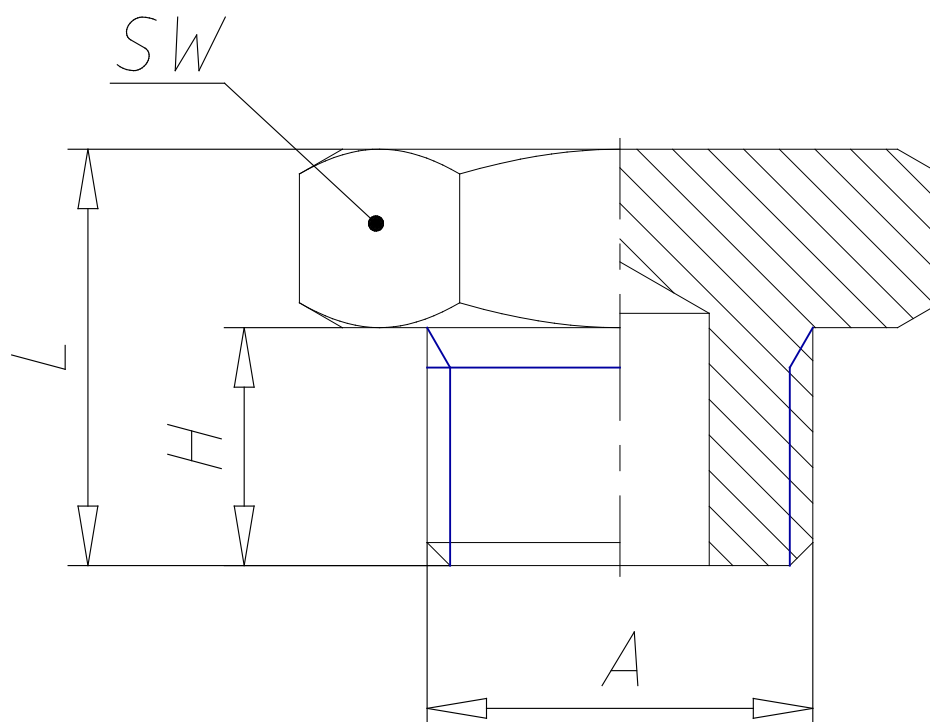


### ■ TECHNICAL DATA

Mod.	2611 1/8
------	----------

## Mod. 2611 - Fittings Serie 2000

Product code: 2611 1/8



### **DIMENSIONS**

<b>A</b>	G1/8
<b>H (mm)</b>	6
<b>L (mm)</b>	10.5
<b>SW (mm)</b>	13