

Mod. 2612 - Sprint fittings Serie S2000

Product code: 2612 1/8

Datasheet creation date: 10/03/2025 02:52

Check the most updated document online [click here](#)

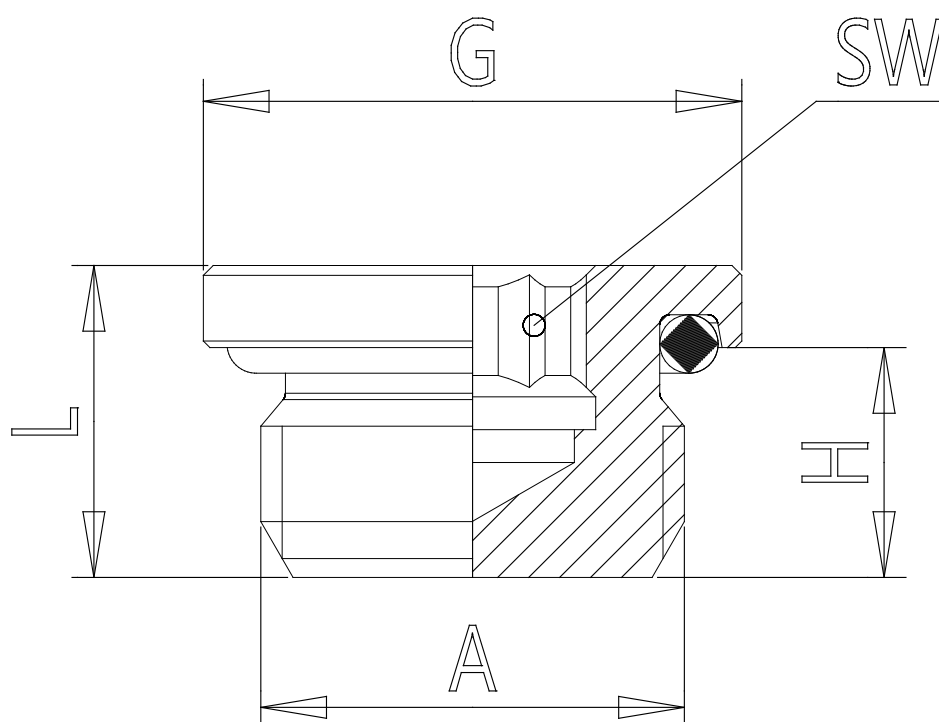


■ TECHNICAL DATA

Model	2612 1/8
-------	----------

Mod. 2612 - Sprint fittings Serie S2000

Product code: 2612 1/8



DIMENSIONS

A	G1/8
G	13.5
H	6.0
L	8.5
SW	4
Weight	5