

## Round cylinders - Series 27

Product code: 27M2A32A0480

Datasheet creation date: 07/03/2025 19:05

Check the most updated document online [click here](#)

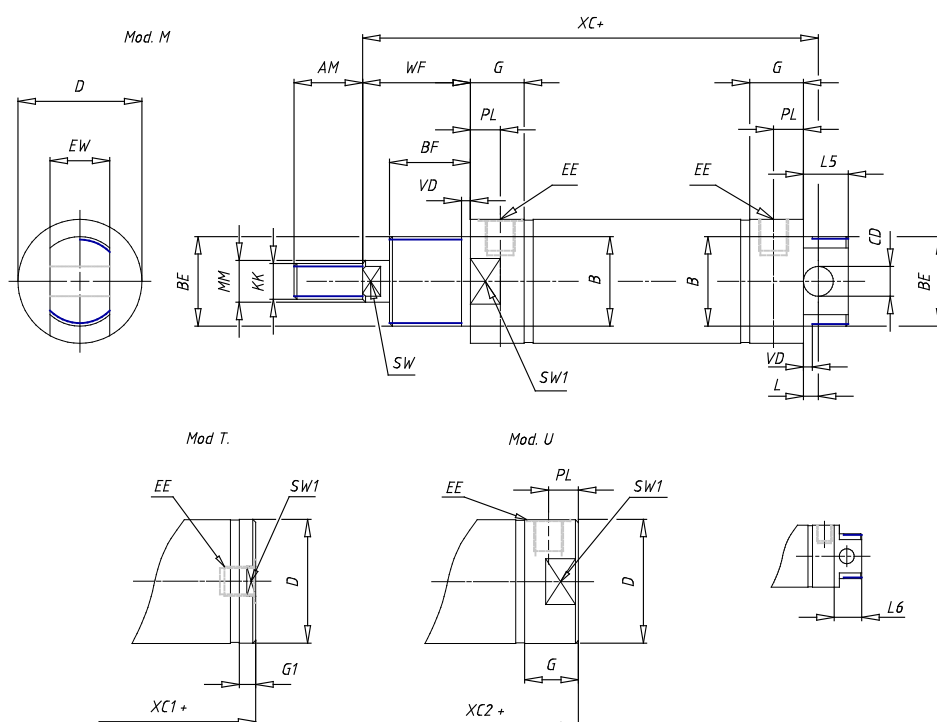


### TECHNICAL DATA

|                      |                                     |
|----------------------|-------------------------------------|
| <b>Series</b>        | 27                                  |
| <b>Diameter (mm)</b> | 32                                  |
| <b>Version</b>       | M = rear end block upper round part |
| <b>Operation</b>     | 2 = double - acting                 |
| <b>Materials</b>     | A = rolled stainless steel          |
| <b>Construction</b>  | A = standard                        |
| <b>Stroke type</b>   | variable                            |
| <b>Stroke (mm)</b>   | 480                                 |

## Round cylinders - Series 27

Product code: 27M2A32A0480



### DIMENSIONS

|           |          |
|-----------|----------|
| AM (mm)   | 22       |
| Ø B (mm)  | 22       |
| BF (mm)   | 15       |
| BE        | M22x1.5  |
| Ø CD (mm) | 8        |
| Ø D (mm)  | 33.5     |
| EE        | G1/8     |
| EW (mm)   | 16       |
| G (mm)    | 17.5     |
| G1 (mm)   | 5.5      |
| KK        | M10x1.25 |
| L (mm)    | 7        |
| Ø MM (mm) | 12       |
| L5 (mm)   | 15       |
| L6 (mm)   | 20       |
| PL (mm)   | 9        |
| SW (mm)   | 10       |
| VD (mm)   | 3        |
| WF (mm)   | 23.0     |
| XC (mm)   | 93.0     |
| XC1 (mm)  | 74.0     |
| XC2 (mm)  | 86.0     |
| SW1 (mm)  | 30       |

|            |     |
|------------|-----|
| BG (mm)    | 0   |
| BG1 (mm)   | 0.0 |
| FB         | 0   |
| RT         | 0   |
| Ø RT1 (mm) | 0   |
| TC (mm)    | 0   |
| TF (mm)    | 0.0 |