

Round cylinders - Series 27

Product code: 27U2A50A0032

Datasheet creation date: 07/03/2025 19:18

Check the most updated document online [click here](#)

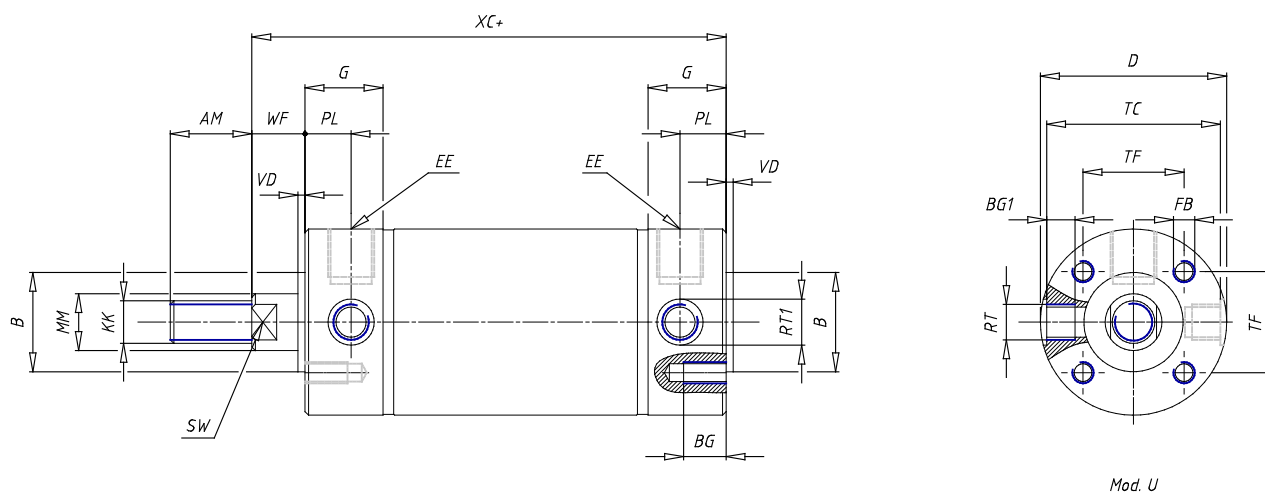


TECHNICAL DATA

| | |
|----------------------|-------------------------------------|
| Series | 27 |
| Diameter (mm) | 50 |
| Version | U = rear end block upper round part |
| Operation | 2 = double - acting |
| Materials | A = rolled stainless steel |
| Construction | A = standard |
| Stroke type | variable |
| Stroke (mm) | 32 |

Round cylinders - Series 27

Product code: 27U2A50A0032



DIMENSIONS

| | |
|-----------|----------|
| AM (mm) | 23 |
| Ø B (mm) | 28 |
| BF (mm) | 0 |
| BE | 0 |
| Ø CD (mm) | 0 |
| Ø D (mm) | 52.5 |
| EE | G1/4 |
| EW (mm) | 0 |
| G (mm) | 22.0 |
| G1 (mm) | 0.0 |
| KK | M12x1.25 |
| L (mm) | 0 |
| Ø MM (mm) | 16 |
| L5 (mm) | 0 |
| L6 (mm) | 0 |
| PL (mm) | 13 |
| SW (mm) | 13 |
| VD (mm) | 2 |
| WF (mm) | 13.0 |
| XC (mm) | 97.0 |
| XC1 (mm) | 0.0 |
| XC2 (mm) | 0.0 |
| SW1 (mm) | 0 |

| | |
|------------|-------|
| BG (mm) | 12 |
| BG1 (mm) | 8.0 |
| FB | M6 |
| RT | M10x1 |
| Ø RT1 (mm) | 13 |
| TC (mm) | 49 |
| TF (mm) | 28.5 |