

## Round cylinders - Series 27

Product code: 27U2A50A0370

Datasheet creation date: 07/03/2025 19:19

Check the most updated document online [click here](#)

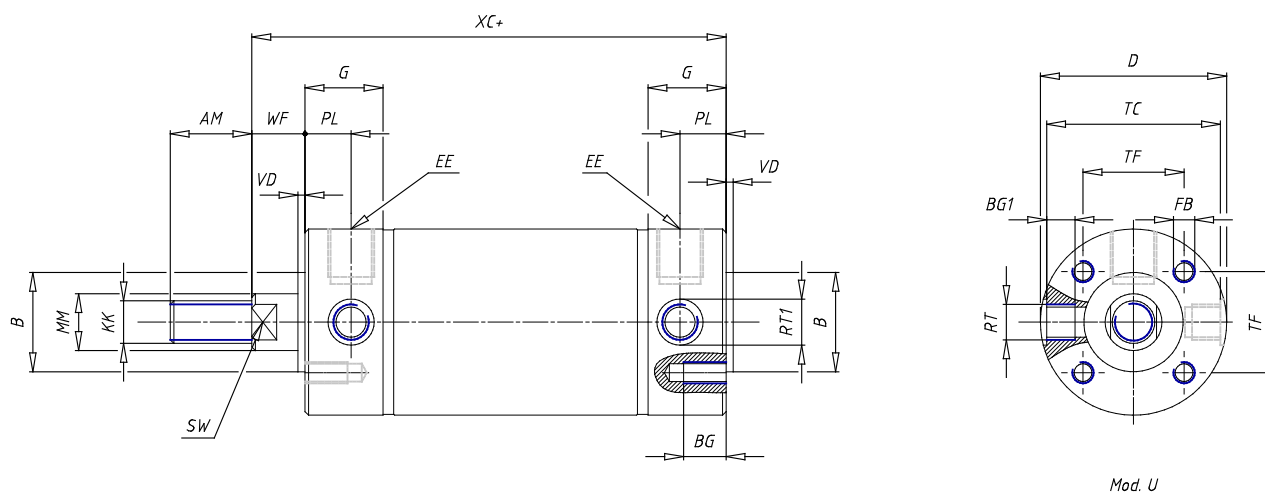


### TECHNICAL DATA

|                      |                                     |
|----------------------|-------------------------------------|
| <b>Series</b>        | 27                                  |
| <b>Diameter (mm)</b> | 50                                  |
| <b>Version</b>       | U = rear end block upper round part |
| <b>Operation</b>     | 2 = double - acting                 |
| <b>Materials</b>     | A = rolled stainless steel          |
| <b>Construction</b>  | A = standard                        |
| <b>Stroke type</b>   | variable                            |
| <b>Stroke (mm)</b>   | 370                                 |

## Round cylinders - Series 27

Product code: 27U2A50A0370



### DIMENSIONS

|           |          |
|-----------|----------|
| AM (mm)   | 23       |
| Ø B (mm)  | 28       |
| BF (mm)   | 0        |
| BE        | 0        |
| Ø CD (mm) | 0        |
| Ø D (mm)  | 52.5     |
| EE        | G1/4     |
| EW (mm)   | 0        |
| G (mm)    | 22.0     |
| G1 (mm)   | 0.0      |
| KK        | M12x1.25 |
| L (mm)    | 0        |
| Ø MM (mm) | 16       |
| L5 (mm)   | 0        |
| L6 (mm)   | 0        |
| PL (mm)   | 13       |
| SW (mm)   | 13       |
| VD (mm)   | 2        |
| WF (mm)   | 13.0     |
| XC (mm)   | 97.0     |
| XC1 (mm)  | 0.0      |
| XC2 (mm)  | 0.0      |
| SW1 (mm)  | 0        |

|            |       |
|------------|-------|
| BG (mm)    | 12    |
| BG1 (mm)   | 8.0   |
| FB         | M6    |
| RT         | M10x1 |
| Ø RT1 (mm) | 13    |
| TC (mm)    | 49    |
| TF (mm)    | 28.5  |