

Valves - Series 28

Product code: 2839 1/2

Datasheet creation date: 10/03/2025 12:15

Check the most updated document online [click here](#)

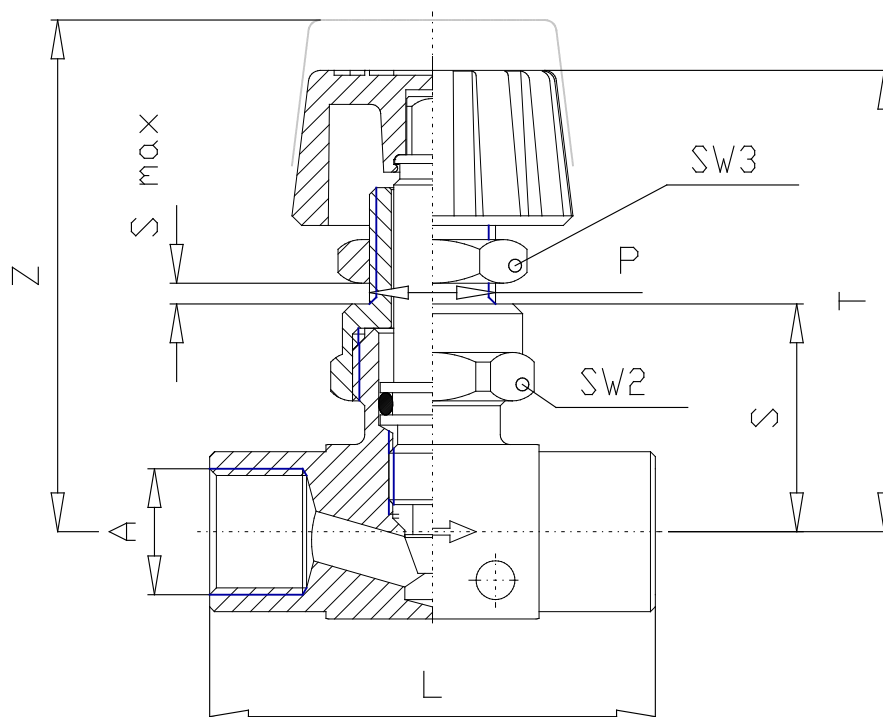


TECHNICAL DATA

Mod.	2839 1/2
------	----------

Valves - Series 28

Product code: 2839 1/2



DIMENSIONS

A	G1/2
P	14x1
S	29
T (mm)	57.0
Z (mm)	64.0
S MAX	7
SW2	22
SW3	17