

Mini ball valves, MINI version - Mod. 2944

Product code: 2944 1/8-1/8

Datasheet creation date: 10/03/2025 12:10

Check the most updated document online [click here](#)

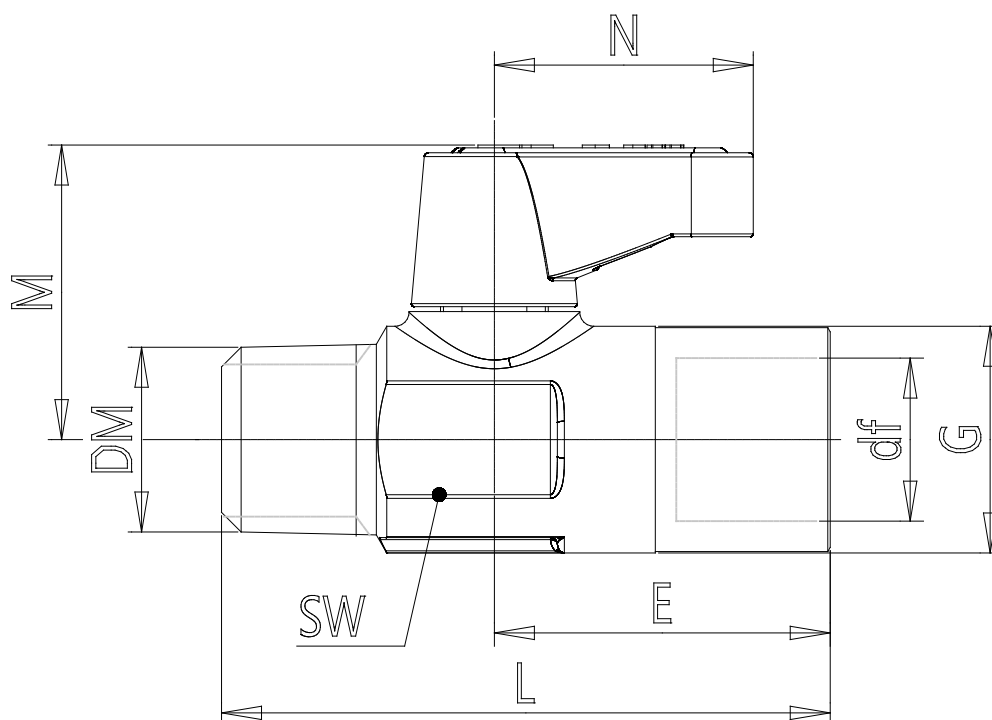


TECHNICAL DATA

Model	2944 1/8-1/8
-------	--------------

Mini ball valves, MINI version - Mod. 2944

Product code: 2944 1/8-1/8



DIMENSIONS

DF	G1/8
DM (mm)	R1/8
DN (mm)	6
E (mm)	21.0
G (mm)	16
L (mm)	38.0
M (mm)	21
N (mm)	18.5
SW (mm)	14