

Compact cylinders - Series 31

Product code: 31F2A020A010W

Datasheet creation date: 07/03/2025 19:45

Check the most updated document online [click here](#)

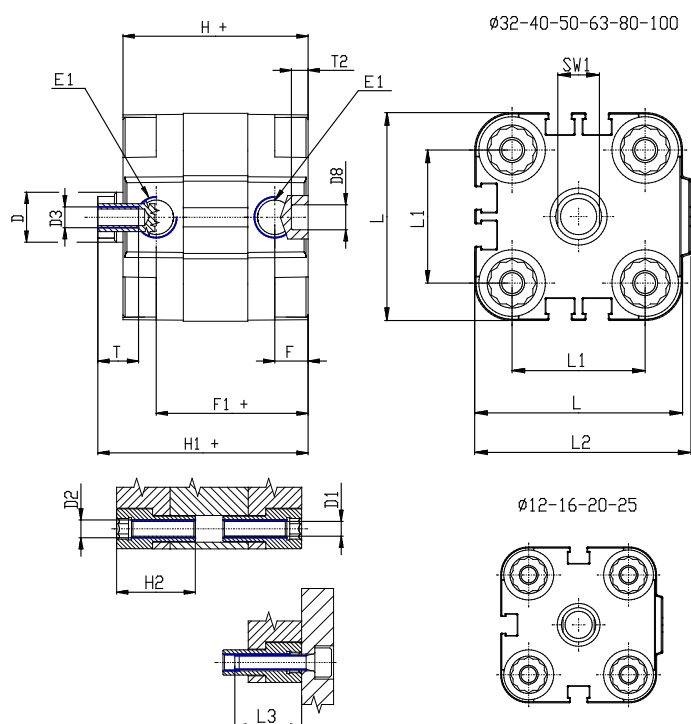


TECHNICAL DATA

| | |
|---------------------------|--|
| Series | 31 |
| Version | F=female rod thread |
| Operation | 2=double-acting |
| Diameter (mm) | 20 |
| Stroke type | standard |
| Stroke (mm) | 10 |
| Rod seals material | W = seals in FKM for high temperatures (140°C), |
| Materials | A = rolled stainless steel AISI 303 rod tube profile aluminium |
| Construction | A = standard |

Compact cylinders - Series 31

Product code: 31F2A020A010W



DIMENSIONS

| | |
|-----------|----------|
| Ø D (mm) | 10 |
| Ø D1 (mm) | 4.5 |
| D2 | M5 |
| D3 | M5 |
| Ø D4 (mm) | 4 |
| D5 | M4 |
| Ø D8 (mm) | 6 |
| D9 (mm) | 6 |
| D10 (mm) | 10 |
| E1 | M5 |
| F (mm) | 8.0 |
| F1 (mm) | 30.0 |
| H (mm) | 38.0 |
| H1 (mm) | 42.5 |
| H2 (mm) | 18.5 |
| K1 | M10x1,25 |
| L (mm) | 36 |
| L1 (mm) | 22 |
| L2 (mm) | 37.5 |
| L3 (mm) | 18 |
| L4 (mm) | 12.0 |
| T (mm) | 10 |
| T1 (mm) | 22 |

| | |
|----------|---|
| T2 (mm) | 4 |
| SW1 (mm) | 8 |