

Compact cylinders, Multi-position versions - Series 31

Product code: 31F2A020A75/150N

Datasheet creation date: 07/03/2025 21:00

Check the most updated document online [click here](#)

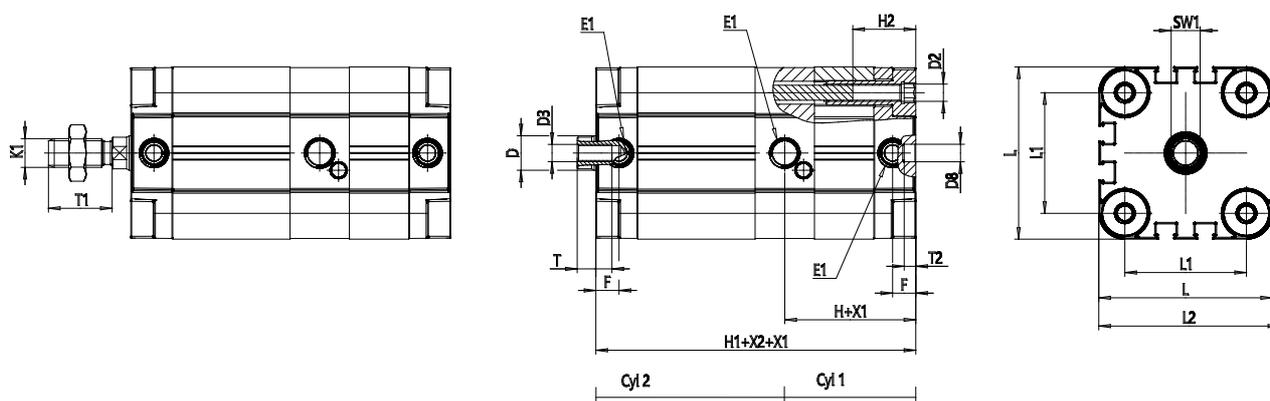


TECHNICAL DATA

Series	31
Version	F=female rod thread
Operation	2 = double-acting
Materials	A = rolled stainless steel AISI 303 rod tube profile aluminium
Diameter (mm)	20
Construction	A = standard
Stages	2 = 2 stages
Stroke cylinder 1 (mm)	75
Stroke cylinder 2 (mm)	150
Stroke cylinder 3 (mm)	0
Stroke cylinder 4 (mm)	0

Compact cylinders, Multi-position versions - Series 31

Product code: 31F2A020A75/150N



DIMENSIONS

ØD (mm)	10
ØD1 (mm)	4.5
D2	M5
D3	M5
D4 (mm)	4
D5	M4
ØD8 (mm)	6
D9 (mm)	6
D10 (mm)	10
E1	M5
F (mm)	8.0
F1 (mm)	30.0
FX (mm)	12.0
H (mm)	43.5
H1 (mm)	78.0
H2 (mm)	17.0
H3 (mm)	64.5
H4 (mm)	0.0
K1	M10x1,25
L (mm)	36
L1 (mm)	22
L2 (mm)	37.5
L3 (mm)	18

L4 (mm)	12.0
T (mm)	10
T1 (mm)	22
T2 (mm)	4
SW1 (mm)	8
SWK (mm)	8