

Compact cylinders, Multi-position versions - Series 31

Product code: 31F2A063A10/25N

Datasheet creation date: 07/03/2025 21:44

Check the most updated document online [click here](#)

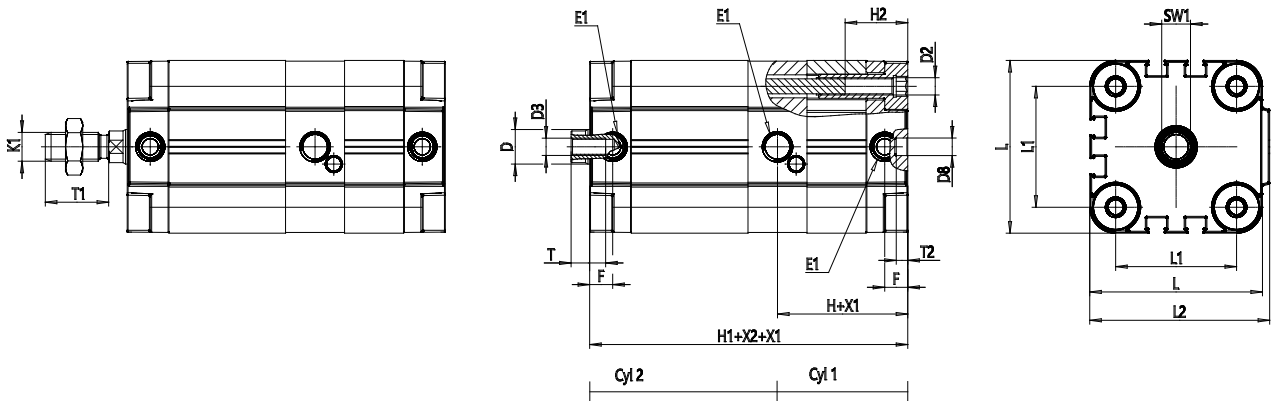


TECHNICAL DATA

Series	31
Version	F=female rod thread
Operation	2 = double-acting
Materials	A = rolled stainless steel AISI 303 rod tube profile aluminium
Diameter (mm)	63
Construction	A = standard
Stages	2 = 2 stages
Stroke cylinder 1 (mm)	10
Stroke cylinder 2 (mm)	25
Stroke cylinder 3 (mm)	0
Stroke cylinder 4 (mm)	0

Compact cylinders, Multi-position versions - Series 31

Product code: 31F2A063A10/25N



DIMENSIONS

ØD (mm)	16
ØD1 (mm)	8.5
D2	M10
D3	M8
D4 (mm)	6
D5	M6
ØD8 (mm)	8
D9 (mm)	10
D10 (mm)	22
E1	G1/8
F (mm)	8.0
F1 (mm)	42.0
FX (mm)	14.5
H (mm)	50.0
H1 (mm)	100.5
H2 (mm)	26.0
H3 (mm)	81.5
H4 (mm)	0.0
K1	M12x1,25
L (mm)	87
L1 (mm)	62
L2 (mm)	91.0
L3 (mm)	25

L4 (mm)	35.4
T (mm)	12
T1 (mm)	24
T2 (mm)	4
SW1 (mm)	13
SWK (mm)	14