

## Compact cylinders - Series 31

Product code: 31F2A080A010(32)

Datasheet creation date: 07/03/2025 20:05

Check the most updated document online [click here](#)

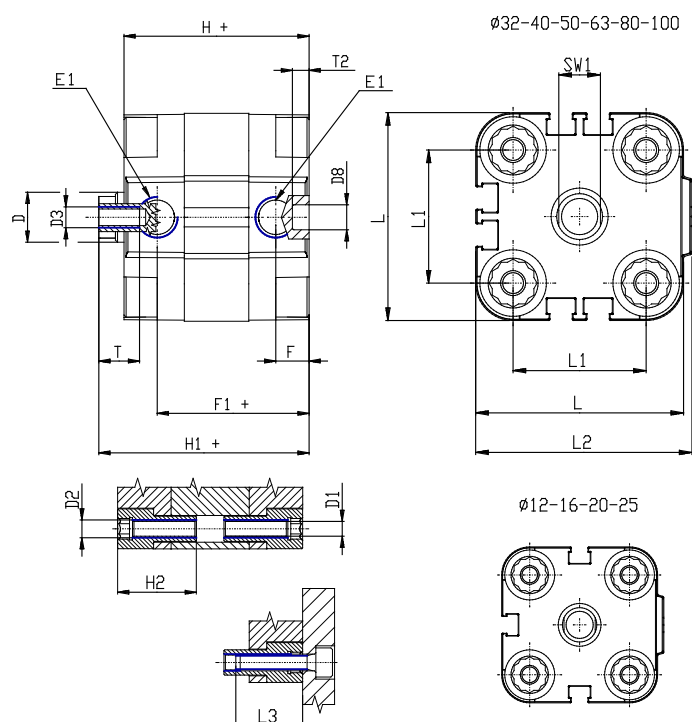


### TECHNICAL DATA

|                           |  |
|---------------------------|--|
| <b>Series</b>             | 31   |
| <b>Version</b>            | F=female rod thread  |
| <b>Operation</b>          | 2=double-acting  |
| <b>Diameter (mm)</b>      | 80   |
| <b>Stroke type</b>        | standard   |
| <b>Stroke (mm)</b>        | 10   |
| <b>Rod seals material</b> | -  |
| <b>Materials</b>          | A = rolled stainless steel AISI 303 rod tube profile aluminium |
| <b>Construction</b>       | A = standard   |

## Compact cylinders - Series 31

Product code: 31F2A080A010(32)



### DIMENSIONS

|           |         |
|-----------|---------|
| Ø D (mm)  | 20      |
| Ø D1 (mm) | 8.5     |
| D2        | M10     |
| D3        | M10     |
| Ø D4 (mm) | 8       |
| D5        | M8      |
| Ø D8 (mm) | 8       |
| D9 (mm)   | 12      |
| D10 (mm)  | 28      |
| E1        | G1/8    |
| F (mm)    | 8.5     |
| F1 (mm)   | 47.5    |
| H (mm)    | 56.0    |
| H1 (mm)   | 64.0    |
| H2 (mm)   | 24.5    |
| K1        | M16x1,5 |
| L (mm)    | 107     |
| L1 (mm)   | 82      |
| L2 (mm)   | 111.0   |
| L3 (mm)   | 25      |
| L4 (mm)   | 46.0    |
| T (mm)    | 16      |
| T1 (mm)   | 32      |

|          |    |
|----------|----|
| T2 (mm)  | 4  |
| SW1 (mm) | 17 |