

## Compact cylinders - Series 31

Product code: 31F3A050A005

Datasheet creation date: 07/03/2025 20:00

Check the most updated document online [click here](#)

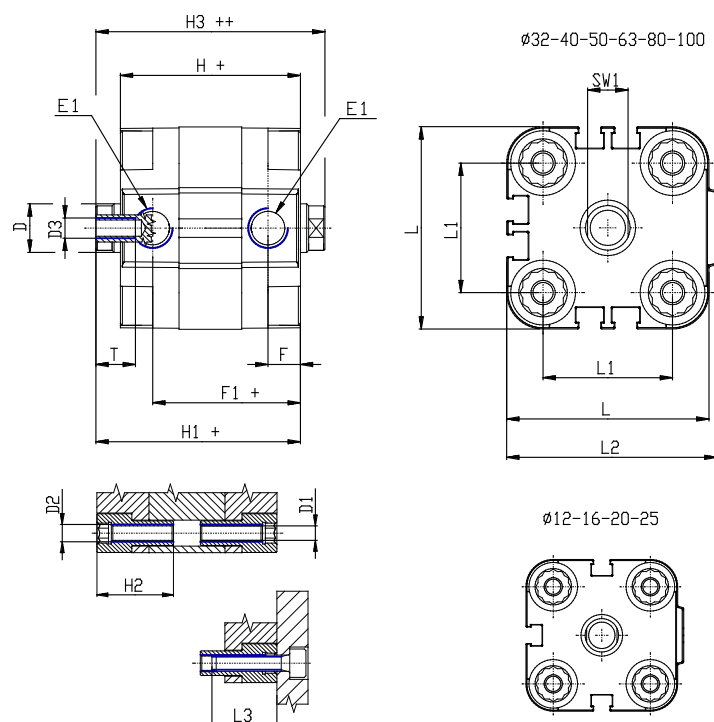


### TECHNICAL DATA

<b>Series</b>	31
<b>Version</b>	F=female rod thread
<b>Operation</b>	3=double-acting through rod
<b>Diameter (mm)</b>	50
<b>Stroke type</b>	standard
<b>Stroke (mm)</b>	5
<b>Rod seals material</b>	-
<b>Materials</b>	A = rolled stainless steel AISI 303 rod tube profile aluminium
<b>Construction</b>	A = standard

## Compact cylinders - Series 31

Product code: 31F3A050A005



### DIMENSIONS

<b>Ø D (mm)</b>	16
<b>Ø D1 (mm)</b>	6.5
<b>D2</b>	M8
<b>D3</b>	M8
<b>Ø D4 (mm)</b>	6
<b>D5</b>	M6
<b>Ø D8 (mm)</b>	6
<b>D9 (mm)</b>	10
<b>D10 (mm)</b>	22
<b>E1</b>	G1\8
<b>F (mm)</b>	8.0
<b>F1 (mm)</b>	37.5
<b>H (mm)</b>	45.5
<b>H1 (mm)</b>	53.0
<b>H2 (mm)</b>	22.5
<b>K1</b>	M12x1,25
<b>L (mm)</b>	68
<b>L1 (mm)</b>	50
<b>L2 (mm)</b>	71.0
<b>L3 (mm)</b>	20
<b>L4 (mm)</b>	29.7
<b>T (mm)</b>	12
<b>T1 (mm)</b>	24

<b>T2 (mm)</b>	4
<b>SW1 (mm)</b>	13