

Compact cylinders - Series 31

Product code: 31M2A080A050W

Datasheet creation date: 07/03/2025 20:44

Check the most updated document online [click here](#)

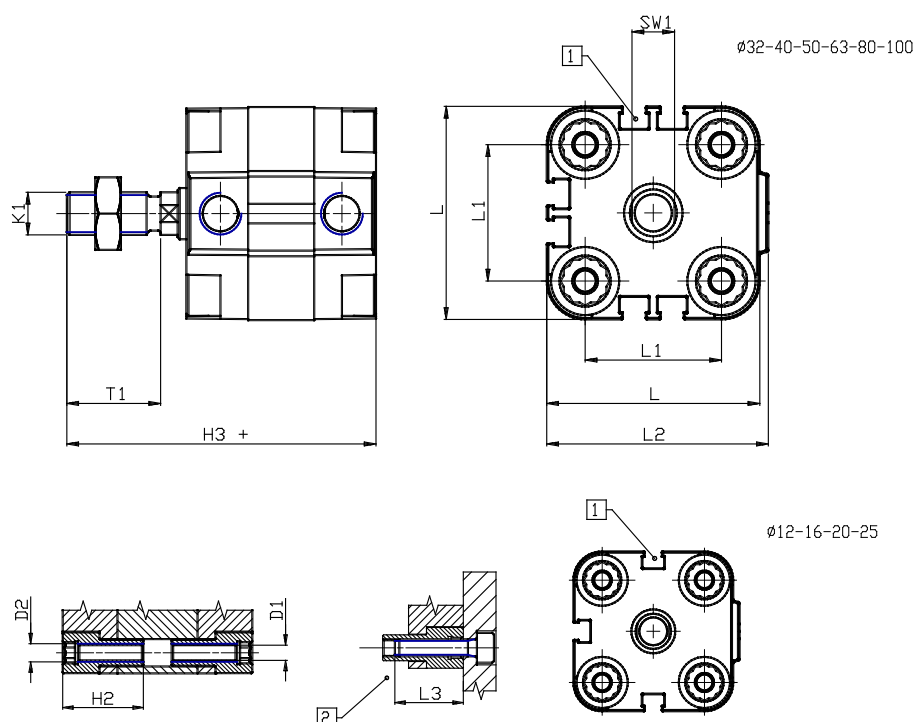


TECHNICAL DATA

| | |
|---------------------------|--|
| Series | 31 |
| Version | M=male rod thread |
| Operation | 2=double-acting |
| Diameter (mm) | 80 |
| Stroke type | standard |
| Stroke (mm) | 50 |
| Rod seals material | W = seals in FKM for high temperatures (140°C), |
| Materials | A = rolled stainless steel AISI 303 rod tube profile aluminium |
| Construction | A = standard |

Compact cylinders - Series 31

Product code: 31M2A080A050W



DIMENSIONS

| | |
|-----------|---------|
| Ø D (mm) | 20 |
| Ø D1 (mm) | 8.5 |
| D2 | M10 |
| D3 | M10 |
| Ø D4 (mm) | 8 |
| D5 | M8 |
| Ø D8 (mm) | 8 |
| D9 (mm) | 12 |
| D10 (mm) | 28 |
| E1 | G1/8 |
| F (mm) | 8.5 |
| F1 (mm) | 47.5 |
| H (mm) | 56.0 |
| H1 (mm) | 64.0 |
| H2 (mm) | 24.5 |
| K1 | M16x1,5 |
| L (mm) | 107 |
| L1 (mm) | 82 |
| L2 (mm) | 111.0 |
| L3 (mm) | 25 |
| L4 (mm) | 46.0 |
| T (mm) | 16 |
| T1 (mm) | 32 |

| | |
|----------|----|
| T2 (mm) | 4 |
| SW1 (mm) | 17 |