

Compact cylinders - Series 31

Product code: 31M3A025A025

Datasheet creation date: 07/03/2025 20:22

Check the most updated document online [click here](#)

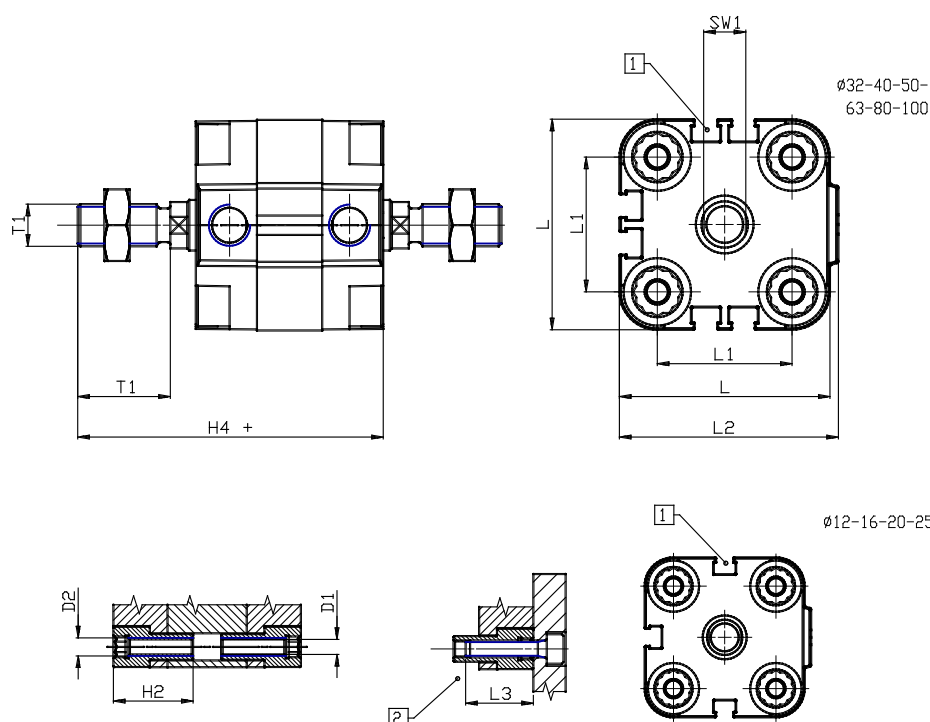


TECHNICAL DATA

| | |
|---------------------------|--|
| Series | 31 |
| Version | M=male rod thread |
| Operation | 3=double-acting through rod |
| Diameter (mm) | 25 |
| Stroke type | standard |
| Stroke (mm) | 25 |
| Rod seals material | - |
| Materials | A = rolled stainless steel AISI 303 rod tube profile aluminium |
| Construction | A = standard |

Compact cylinders - Series 31

Product code: 31M3A025A025



DIMENSIONS

| | |
|-----------|----------|
| Ø D (mm) | 10 |
| Ø D1 (mm) | 4.5 |
| D2 | M5 |
| D3 | M5 |
| Ø D4 (mm) | 5 |
| D5 | M5 |
| Ø D8 (mm) | 6 |
| D9 (mm) | 6 |
| D10 (mm) | 14 |
| E1 | M5 |
| F (mm) | 8.0 |
| F1 (mm) | 31.5 |
| H (mm) | 39.5 |
| H1 (mm) | 45.0 |
| H2 (mm) | 18.5 |
| K1 | M10x1,25 |
| L (mm) | 40 |
| L1 (mm) | 26 |
| L2 (mm) | 41.5 |
| L3 (mm) | 18 |
| L4 (mm) | 15.6 |
| T (mm) | 10 |
| T1 (mm) | 22 |

| | |
|----------|---|
| T2 (mm) | 4 |
| SW1 (mm) | 8 |