

## Compact cylinders - Series 31

Product code: 31M3A032A035

Datasheet creation date: 07/03/2025 20:28

Check the most updated document online [click here](#)

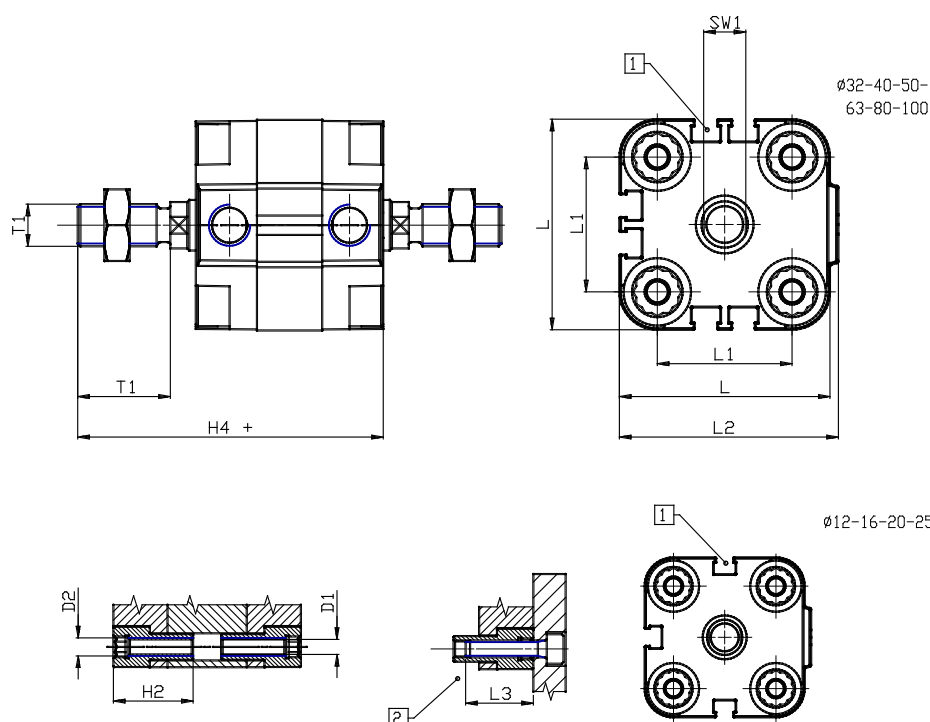


### TECHNICAL DATA

|                           |  |
|---------------------------|--|
| <b>Series</b>             | 31   |
| <b>Version</b>            | M=male rod thread  |
| <b>Operation</b>          | 3=double-acting through rod                                    |
| <b>Diameter (mm)</b>      | 32   |
| <b>Stroke type</b>        | variable   |
| <b>Stroke (mm)</b>        | 35   |
| <b>Rod seals material</b> | -  |
| <b>Materials</b>          | A = rolled stainless steel AISI 303 rod tube profile aluminium |
| <b>Construction</b>       | A = standard   |

## Compact cylinders - Series 31

Product code: 31M3A032A035



### DIMENSIONS

|           |          |
|-----------|----------|
| Ø D (mm)  | 12       |
| Ø D1 (mm) | 5.5      |
| D2        | M6       |
| D3        | M6       |
| Ø D4 (mm) | 5        |
| D5        | M5       |
| Ø D8 (mm) | 6        |
| D9 (mm)   | 6        |
| D10 (mm)  | 17       |
| E1        | G1\8     |
| F (mm)    | 8.0      |
| F1 (mm)   | 36.5     |
| H (mm)    | 44.5     |
| H1 (mm)   | 50.5     |
| H2 (mm)   | 21.5     |
| K1        | M10x1,25 |
| L (mm)    | 50       |
| L1 (mm)   | 32       |
| L2 (mm)   | 52.0     |
| L3 (mm)   | 20       |
| L4 (mm)   | 19.8     |
| T (mm)    | 12       |
| T1 (mm)   | 22       |

|          |    |
|----------|----|
| T2 (mm)  | 4  |
| SW1 (mm) | 10 |