

Compact cylinders - Series 31

Product code: 31M3A050A080

Datasheet creation date: 07/03/2025 20:38

Check the most updated document online [click here](#)

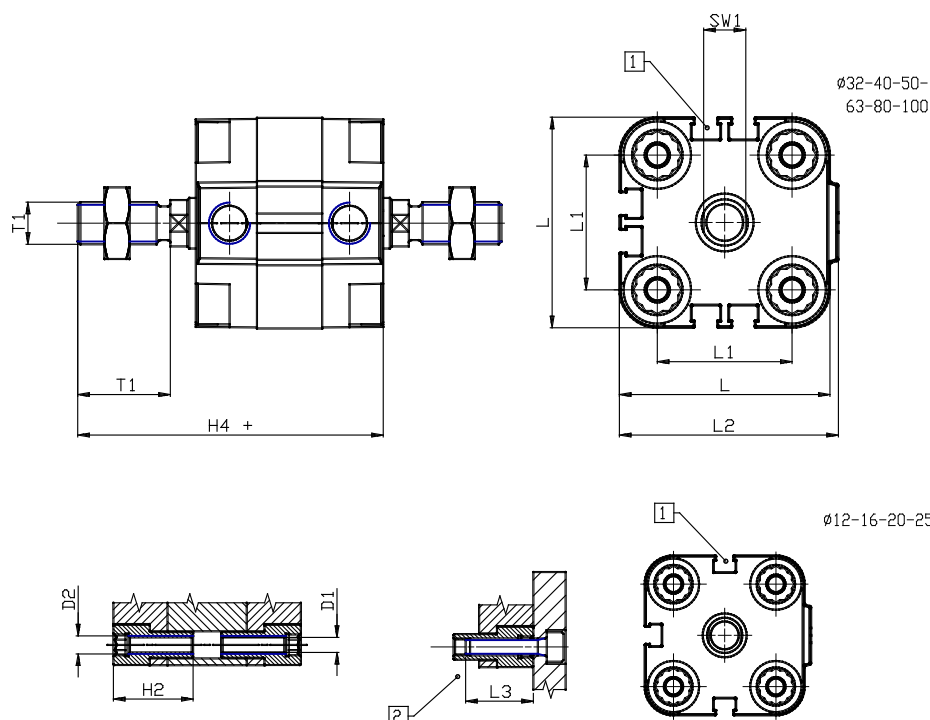


TECHNICAL DATA

| | |
|---------------------------|--|
| Series | 31 |
| Version | M=male rod thread |
| Operation | 3=double-acting through rod |
| Diameter (mm) | 50 |
| Stroke type | standard |
| Stroke (mm) | 80 |
| Rod seals material | - |
| Materials | A = rolled stainless steel AISI 303 rod tube profile aluminium |
| Construction | A = standard |

Compact cylinders - Series 31

Product code: 31M3A050A080



DIMENSIONS

| | |
|-----------|----------|
| Ø D (mm) | 16 |
| Ø D1 (mm) | 6.5 |
| D2 | M8 |
| D3 | M8 |
| Ø D4 (mm) | 6 |
| D5 | M6 |
| Ø D8 (mm) | 6 |
| D9 (mm) | 10 |
| D10 (mm) | 22 |
| E1 | G1\8 |
| F (mm) | 8.0 |
| F1 (mm) | 37.5 |
| H (mm) | 45.5 |
| H1 (mm) | 53.0 |
| H2 (mm) | 22.5 |
| K1 | M12x1,25 |
| L (mm) | 68 |
| L1 (mm) | 50 |
| L2 (mm) | 71.0 |
| L3 (mm) | 20 |
| L4 (mm) | 29.7 |
| T (mm) | 12 |
| T1 (mm) | 24 |

| | |
|----------|----|
| T2 (mm) | 4 |
| SW1 (mm) | 13 |