

## Compact magnetic cylinders - Series 32

Product code: 32F1A016A015

Datasheet creation date: 07/03/2025 23:31

Check the most updated document online [click here](#)

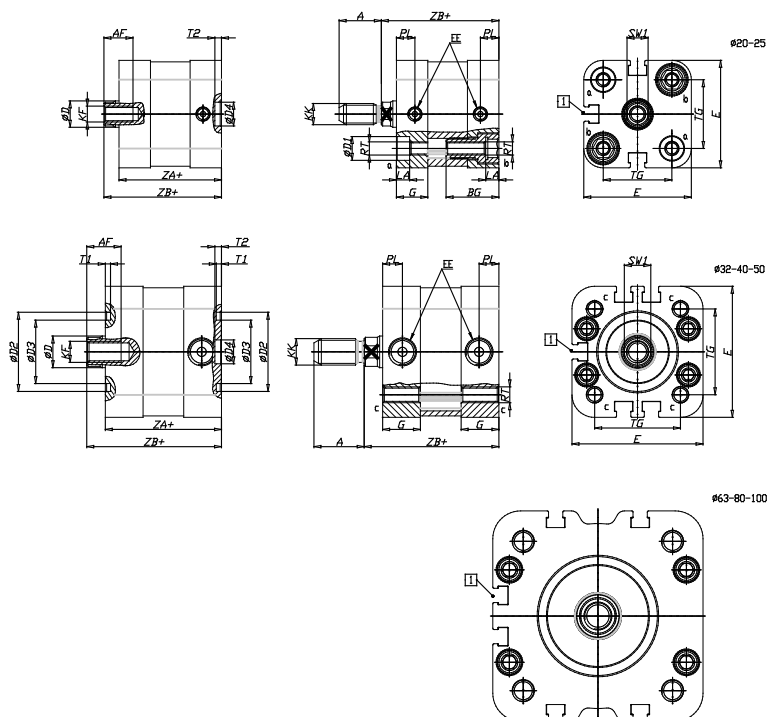


### TECHNICAL DATA

<b>Series</b>	32
<b>Ø cyl. (mm)</b>	16
<b>Version</b>	F=female rod thread
<b>Operation</b>	1=single-acting front spring
<b>Materials</b>	A = anodized aluminium body, end blocks and piston,
<b>Construction</b>	A = standard
<b>Stroke type</b>	A = standard
<b>Stroke Cylinder (mm)</b>	15
<b>Rod seals material</b>	Standard
<b>Rod length (mm)</b>	0

## Compact magnetic cylinders - Series 32

Product code: 32F1A016A015



### DIMENSIONS

A (mm)	12
AF (mm)	10
BG (mm)	18.5
G (mm)	10.5
Ø (mm)	8
Ø (mm)	6
D2 (mm)	0
D3 (mm)	0
D4 (mm)	9
D5 (mm)	6
D6 (mm)	0
D7	M4
D8 (mm)	4
E (mm)	29.0
EE	M5
H (mm)	8
KF	M4
KK	M6
LA (mm)	4
L4 (mm)	17
PL (mm)	6.0
RT	M4
SW1 (mm)	7

T1 (mm)	0
T2 (mm)	2
T3 (mm)	0
TG (mm)	18.0
ZA (mm)	35.0
ZB (mm)	39.7
ZC (mm)	44.4