

Compact magnetic cylinders - Series 32

Product code: 32F2A020A015

Datasheet creation date: 07/03/2025 23:32

Check the most updated document online [click here](#)

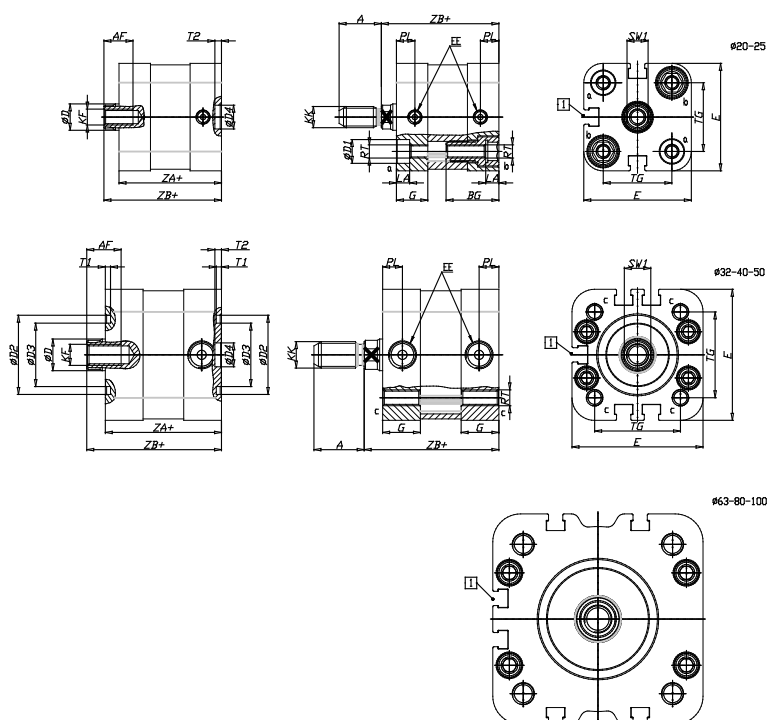


TECHNICAL DATA

| | |
|-----------------------------|---|
| Series | 32 |
| Ø cyl. (mm) | 20 |
| Version | F=female rod thread |
| Operation | 2=double-acting |
| Materials | A = anodized aluminium body, end blocks and piston, |
| Construction | A = standard |
| Stroke type | A = standard |
| Stroke Cylinder (mm) | 15 |
| Rod seals material | Standard |
| Rod length (mm) | 0 |

Compact magnetic cylinders - Series 32

Product code: 32F2A020A015



DIMENSIONS

| | |
|----------|------|
| A (mm) | 16 |
| AF (mm) | 11 |
| BG (mm) | 20.0 |
| G (mm) | 10.9 |
| Ø (mm) | 10 |
| Ø (mm) | 9 |
| D2 (mm) | 0 |
| D3 (mm) | 0 |
| D4 (mm) | 9 |
| D5 (mm) | 6 |
| D6 (mm) | 0 |
| D7 | M4 |
| D8 (mm) | 4 |
| E (mm) | 35.8 |
| EE | M5 |
| H (mm) | 8 |
| KF | M6 |
| KK | M8 |
| LA (mm) | 5 |
| L4 (mm) | 17 |
| PL (mm) | 6.5 |
| RT | M5 |
| SW1 (mm) | 8 |

| | |
|---------|------|
| T1 (mm) | 0 |
| T2 (mm) | 2 |
| T3 (mm) | 0 |
| TG (mm) | 22.0 |
| ZA (mm) | 36.8 |
| ZB (mm) | 42.5 |
| ZC (mm) | 48.2 |