

Compact cylinders Tandem version - Series 32

Product code: 32F2A025A010N2

Datasheet creation date: 19/05/2026 10:25

Check the most updated document online [click here](#)

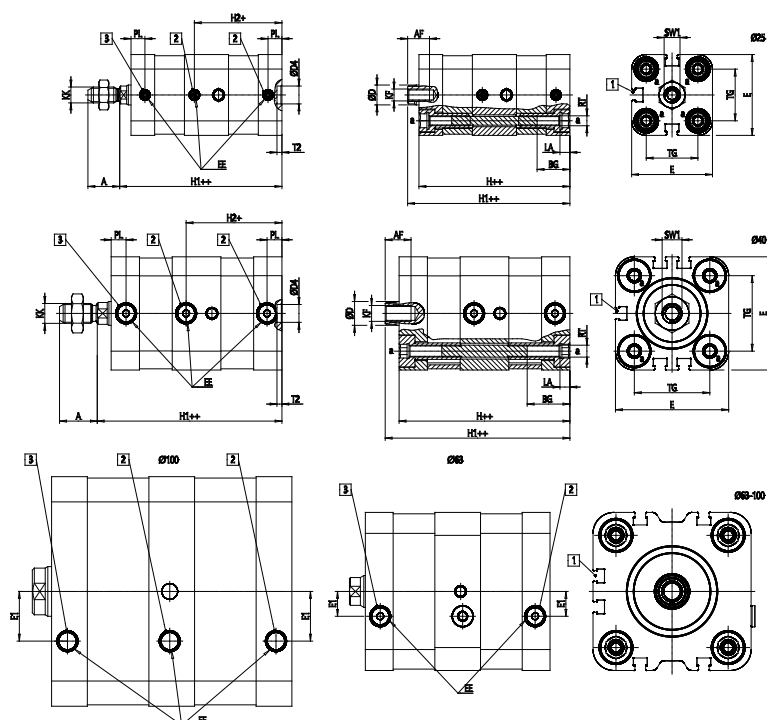


TECHNICAL DATA

Series	32
Version	F=female rod thread
Operation	2 = double acting
Materials	A = anodized aluminium profile, end blocks and piston
Diameter (mm)	25
Construction	A = Standard
Stages	2 = 2 stages
Stroke cylinder (mm)	10
Certifications	= standard

Compact cylinders Tandem version - Series 32

Product code: 32F2A025A010N2



DIMENSIONS

A (mm)	16
AF (mm)	11
BG (mm)	16.5
ØD (mm)	10
D4 (mm)	9
E (mm)	40.7
EE	M5
E1 (mm)	0.0
H (mm)	76
H1 (mm)	81.7
H2 (mm)	44.0
KF	M6
KK (mm)	M8X1.25
LA (mm)	5
PL (mm)	7.0
SW1 (mm)	8
RT	M5
T2 (mm)	2.5
TG (mm)	26.0