

## Compact cylinders Tandem version - Series 32

Product code: 32F2A025A015N2

Datasheet creation date: 19/05/2026 10:27

Check the most updated document online [click here](#)

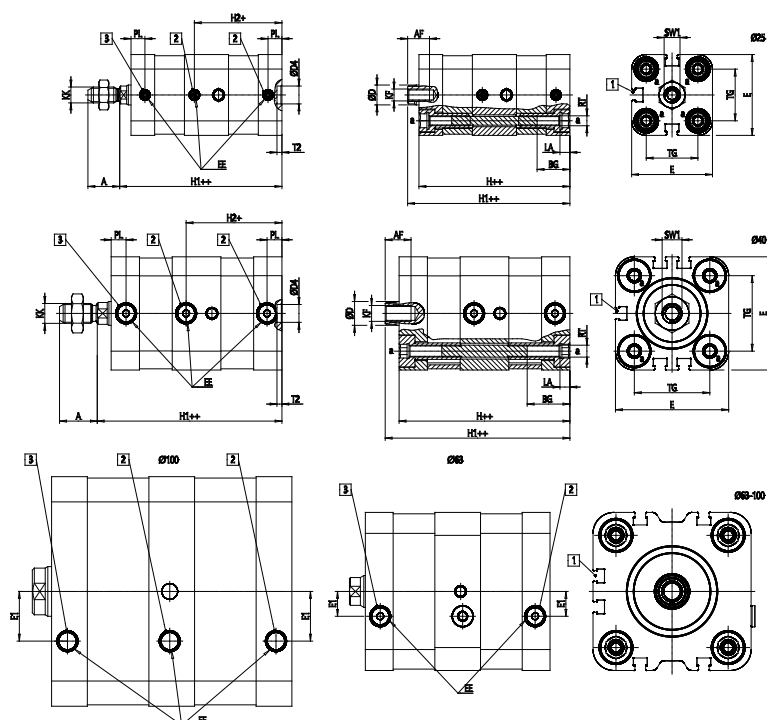


### TECHNICAL DATA

|                             |   |
|-----------------------------|---|
| <b>Series</b>               | 32  |
| <b>Version</b>              | F=female rod thread                                   |
| <b>Operation</b>            | 2 = double acting                                     |
| <b>Materials</b>            | A = anodized aluminium profile, end blocks and piston |
| <b>Diameter (mm)</b>        | 25  |
| <b>Construction</b>         | A = Standard  |
| <b>Stages</b>               | 2 = 2 stages  |
| <b>Stroke cylinder (mm)</b> | 15  |
| <b>Certifications</b>       | = standard  |

## Compact cylinders Tandem version - Series 32

Product code: 32F2A025A015N2



### DIMENSIONS

|          |         |
|----------|---------|
| A (mm)   | 16      |
| AF (mm)  | 11      |
| BG (mm)  | 16.5    |
| ØD (mm)  | 10      |
| D4 (mm)  | 9       |
| E (mm)   | 40.7    |
| EE       | M5      |
| E1 (mm)  | 0.0     |
| H (mm)   | 76      |
| H1 (mm)  | 81.7    |
| H2 (mm)  | 44.0    |
| KF       | M6      |
| KK (mm)  | M8X1.25 |
| LA (mm)  | 5       |
| PL (mm)  | 7.0     |
| SW1 (mm) | 8       |
| RT       | M5      |
| T2 (mm)  | 2.5     |
| TG (mm)  | 26.0    |