

## Compact cylinder multiposition version - Series 32

Product code: 32F2A025A10/40N

Datasheet creation date: 19/05/2026 10:19

Check the most updated document online [click here](#)

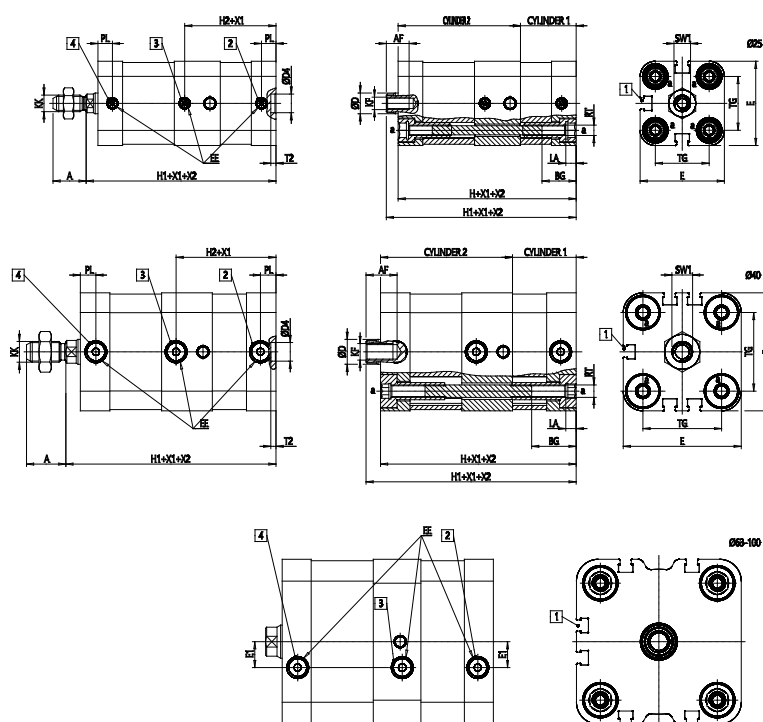


### TECHNICAL DATA

<b>Series</b>	32
<b>Version</b>	F = female rod thread
<b>Operation</b>	2 = double acting
<b>Materials</b>	A = anodized aluminium profile, end blocks and piston
<b>Diameter (mm)</b>	25
<b>Construction</b>	A = Standard
<b>Stages</b>	2 = 2 stages
<b>Stroke cylinder 1 (mm)</b>	10
<b>Stroke cylinder 2 (mm)</b>	40
<b>Stroke cylinder 3 (mm)</b>	0
<b>Stroke cylinder 4 (mm)</b>	0
<b>Certifications</b>	= standard

## Compact cylinder multiposition version - Series 32

Product code: 32F2A025A10/40N



### DIMENSIONS

A (mm)	16
AF (mm)	11
BG (mm)	16.5
ØD (mm)	10
D4 (mm)	9
E (mm)	40.7
EE	M5
E1 (mm)	0.0
H (mm)	76
H1 (mm)	81.7
H2 (mm)	44.0
KF	M6
KK	M8X1.25
LA (mm)	5
PL (mm)	7.0
SW1 (mm)	8
RT	M5
T2 (mm)	2.5
TG (mm)	26.0