

Compact magnetic cylinders - Series 32

Product code: 32F3A050A020

Datasheet creation date: 08/03/2025 10:11

Check the most updated document online [click here](#)

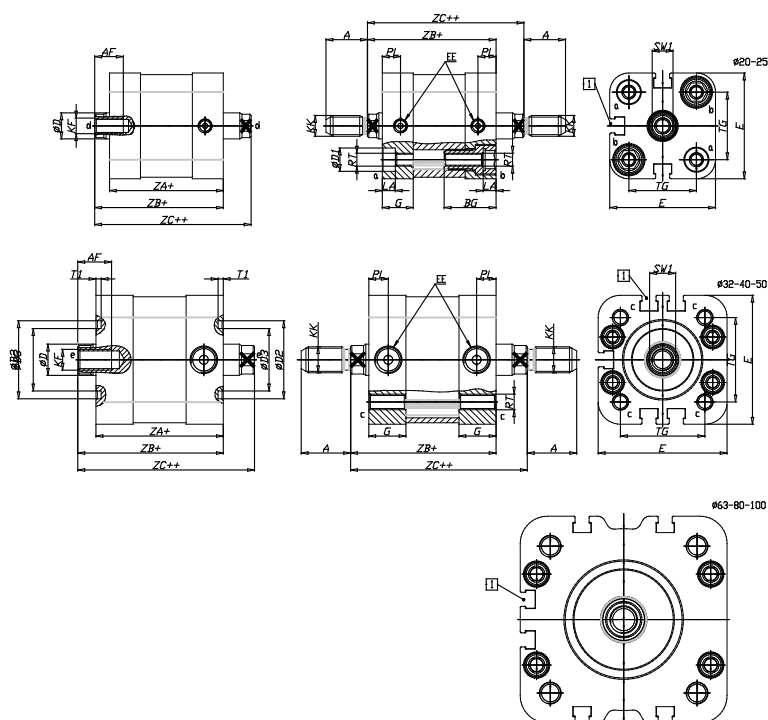


TECHNICAL DATA

| | |
|-----------------------------|---|
| Series | 32 |
| Ø cyl. (mm) | 50 |
| Version | F=female rod thread |
| Operation | 3=double-acting through rod |
| Materials | A = anodized aluminium body, end blocks and piston, |
| Construction | A = standard |
| Stroke type | A = standard |
| Stroke Cylinder (mm) | 20 |
| Rod seals material | Standard |
| Rod length (mm) | 0 |

Compact magnetic cylinders - Series 32

Product code: 32F3A050A020



DIMENSIONS

| | |
|----------|----------|
| A (mm) | 22 |
| AF (mm) | 16 |
| BG (mm) | 0.0 |
| G (mm) | 14.3 |
| Ø (mm) | 16 |
| Ø (mm) | 0 |
| D2 (mm) | 40 |
| D3 (mm) | 34 |
| D4 (mm) | 12 |
| D5 (mm) | 10 |
| D6 (mm) | 22 |
| D7 | M6 |
| D8 (mm) | 6 |
| E (mm) | 69.6 |
| EE | G1\8 |
| H (mm) | 12 |
| KF | M10 |
| KK | M12x1,25 |
| LA (mm) | 0 |
| L4 (mm) | 42 |
| PL (mm) | 7.6 |
| RT | M8 |
| SW1 (mm) | 13 |

| | |
|---------|------|
| T1 (mm) | 2 |
| T2 (mm) | 4 |
| T3 (mm) | 7 |
| TG (mm) | 46.5 |
| ZA (mm) | 45.0 |
| ZB (mm) | 53.0 |
| ZC (mm) | 61 |