

## Compact cylinder multiposition version - Series 32

Product code: 32M2A040A120/270N

Datasheet creation date: 08/03/2025 10:40

Check the most updated document online [click here](#)

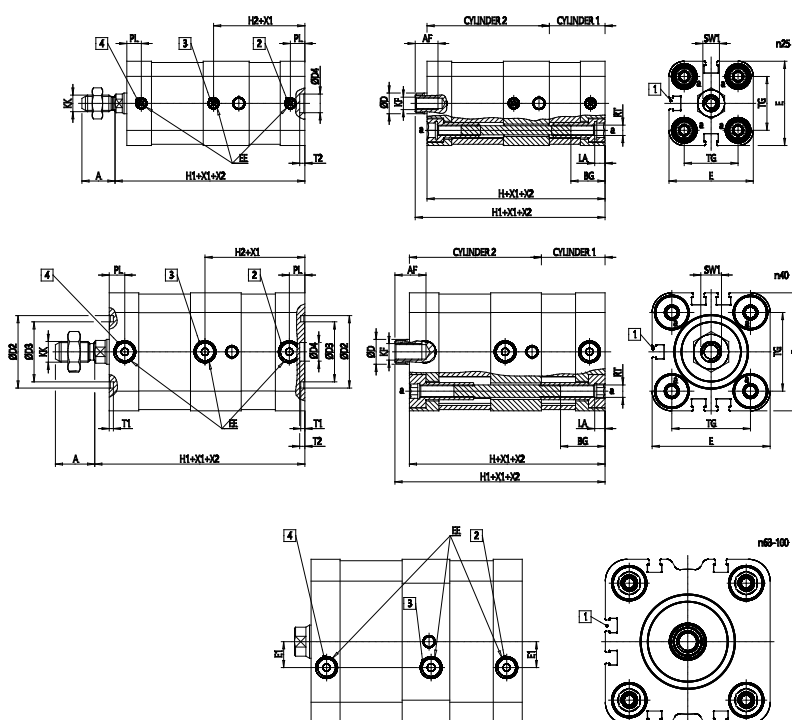


### TECHNICAL DATA

|                      |   |
|----------------------|---|
| <b>Series</b>        | 32  |
| <b>Version</b>       | M=male rod thread                                     |
| <b>Materials</b>     | A = anodized aluminium profile, end blocks and piston |
| <b>Diameter (mm)</b> | 40  |

## Compact cylinder multiposition version - Series 32

Product code: 32M2A040A120/270N



### DIMENSIONS

|          |          |
|----------|----------|
| A (mm)   | 19       |
| AF (mm)  | 13       |
| BG (mm)  | 21.5     |
| ØD (mm)  | 12       |
| D2 (mm)  | 35       |
| D3 (mm)  | 29       |
| D4 (mm)  | 9        |
| E (mm)   | 57.0     |
| EE       | G1/8     |
| E1 (mm)  | 0.0      |
| H (mm)   | 86       |
| H1 (mm)  | 93       |
| H2 (mm)  | 48.2     |
| KF       | M8       |
| KK       | M10X1.25 |
| LA (mm)  | 5        |
| PL (mm)  | 7.6      |
| SW1 (mm) | 10       |
| RT       | M6       |
| T1 (mm)  | 2        |
| T2 (mm)  | 2.5      |
| TG (mm)  | 38.0     |