

## Compact magnetic cylinders - Series 32

Product code: 32R2A032A130

Datasheet creation date: 07/03/2025 23:06

Check the most updated document online [click here](#)

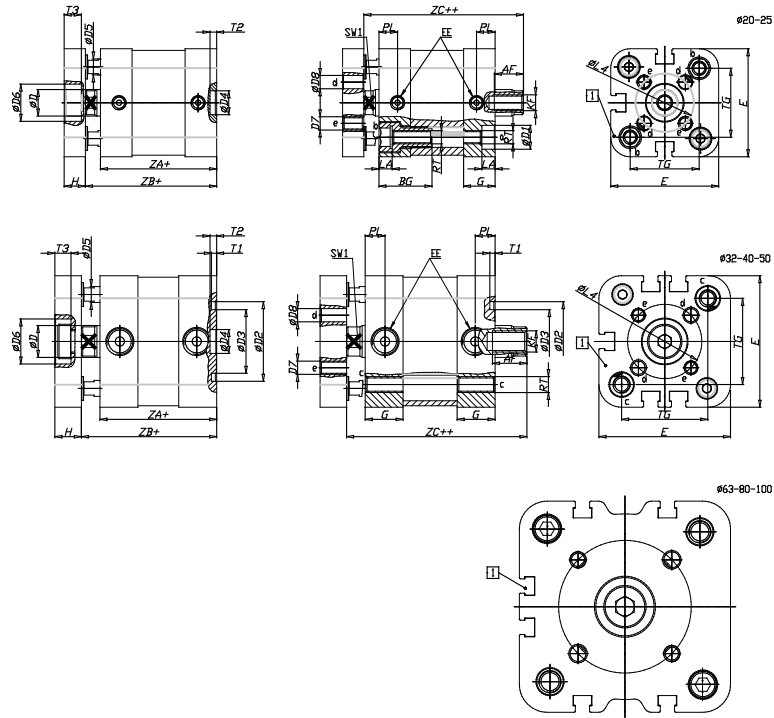


### TECHNICAL DATA

|                             |   |
|-----------------------------|---|
| <b>Series</b>               | 32  |
| <b>Ø cyl. (mm)</b>          | 32  |
| <b>Version</b>              | R=non-rotating with flange only double acting       |
| <b>Operation</b>            | 2=double-acting                                     |
| <b>Materials</b>            | A = anodized aluminium body, end blocks and piston, |
| <b>Construction</b>         | A = standard  |
| <b>Stroke type</b>          | V=variable  |
| <b>Stroke Cylinder (mm)</b> | 130   |
| <b>Rod seals material</b>   | Standard  |
| <b>Rod length (mm)</b>      | 0   |

# Compact magnetic cylinders - Series 32

Product code: 32R2A032A130



## DIMENSIONS

|          |          |
|----------|----------|
| A (mm)   | 19       |
| AF (mm)  | 13       |
| BG (mm)  | 0.0      |
| G (mm)   | 14.3     |
| Ø (mm)   | 12       |
| Ø (mm)   | 0        |
| D2 (mm)  | 30       |
| D3 (mm)  | 24       |
| D4 (mm)  | 9        |
| D5 (mm)  | 6        |
| D6 (mm)  | 17       |
| D7       | M5       |
| D8 (mm)  | 5        |
| E (mm)   | 49.6     |
| EE       | G1\8     |
| H (mm)   | 10       |
| KF       | M8       |
| KK       | M10x1,25 |
| LA (mm)  | 0        |
| L4 (mm)  | 28       |
| PL (mm)  | 7.6      |
| RT       | M6       |
| SW1 (mm) | 10       |

|         |      |
|---------|------|
| T1 (mm) | 2    |
| T2 (mm) | 2    |
| T3 (mm) | 6    |
| TG (mm) | 32.5 |
| ZA (mm) | 44.0 |
| ZB (mm) | 51.0 |
| ZC (mm) | 58   |