

## Compact magnetic cylinders - Series 32

Product code: 32R3A020A060

Datasheet creation date: 07/03/2025 23:05

Check the most updated document online [click here](#)

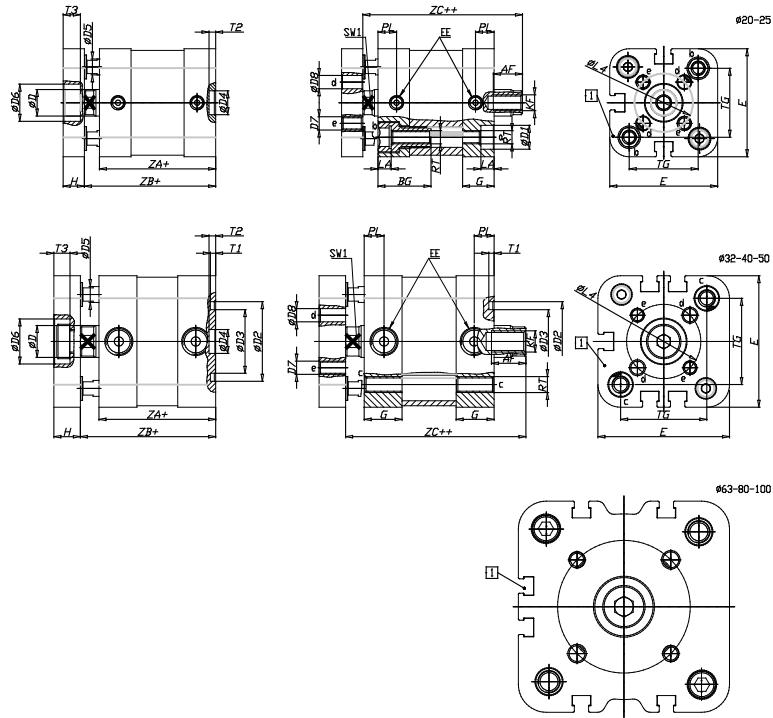


### TECHNICAL DATA

|                             |   |
|-----------------------------|---|
| <b>Series</b>               | 32  |
| <b>Ø cyl. (mm)</b>          | 20  |
| <b>Version</b>              | R=non-rotating with flange only double acting       |
| <b>Operation</b>            | 3=double-acting through rod                         |
| <b>Materials</b>            | A = anodized aluminium body, end blocks and piston, |
| <b>Construction</b>         | A = standard  |
| <b>Stroke type</b>          | V=variable  |
| <b>Stroke Cylinder (mm)</b> | 60  |
| <b>Rod seals material</b>   | Standard  |
| <b>Rod length (mm)</b>      | 0   |

# Compact magnetic cylinders - Series 32

Product code: 32R3A020A060



## DIMENSIONS

|                    |      |
|--------------------|------|
| A (mm)             | 16   |
| AF (mm)            | 11   |
| BG (mm)            | 20.0 |
| G (mm)             | 10.9 |
| $\varnothing$ (mm) | 10   |
| $\varnothing$ (mm) | 9    |
| D2 (mm)            | 0    |
| D3 (mm)            | 0    |
| D4 (mm)            | 9    |
| D5 (mm)            | 6    |
| D6 (mm)            | 0    |
| D7                 | M4   |
| D8 (mm)            | 4    |
| E (mm)             | 35.8 |
| EE                 | M5   |
| H (mm)             | 8    |
| KF                 | M6   |
| KK                 | M8   |
| LA (mm)            | 5    |
| L4 (mm)            | 17   |
| PL (mm)            | 6.5  |
| RT                 | M5   |
| SW1 (mm)           | 8    |

|         |      |
|---------|------|
| T1 (mm) | 0    |
| T2 (mm) | 2    |
| T3 (mm) | 0    |
| TG (mm) | 22.0 |
| ZA (mm) | 36.8 |
| ZB (mm) | 42.5 |
| ZC (mm) | 48.2 |