

3/2-way solenoid valve, G1/8, bistable - Series 3

Product code: 338-011-02

Datasheet creation date: 10/03/2025 10:59

Check the most updated document online [click here](#)

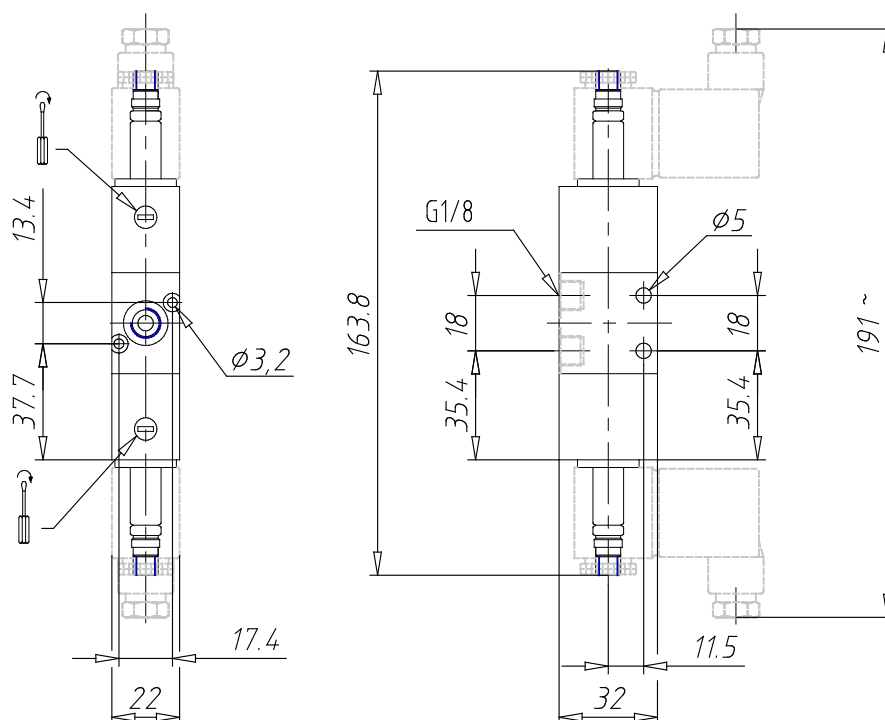


TECHNICAL DATA

Mod.	338-011-02
Mounting	in-line
Function	3/2
Flow rate (Nl/min)	700
Operating pressure	1.5/10
Manual override	= bistabile standard
Dimensions of the solenoid	No solenoid
Solenoid voltage	

3/2-way solenoid valve, G1/8, bistable - Series 3

Product code: 338-011-02



DIMENSIONS

Mod.	338-011-02
Mounting	in-line
Function	3/2
Flow rate (NI/min)	700
Operating pressure	1.5/10
Manual override	= bistabile standard
Dimensions of the solenoid	No solenoid
Solenoid voltage	