

3/2 ways G1/8 solenoid valve, monostable - Series 3

Product code: 338-015-02-G7H

Datasheet creation date: 10/03/2025 10:59

Check the most updated document online [click here](#)

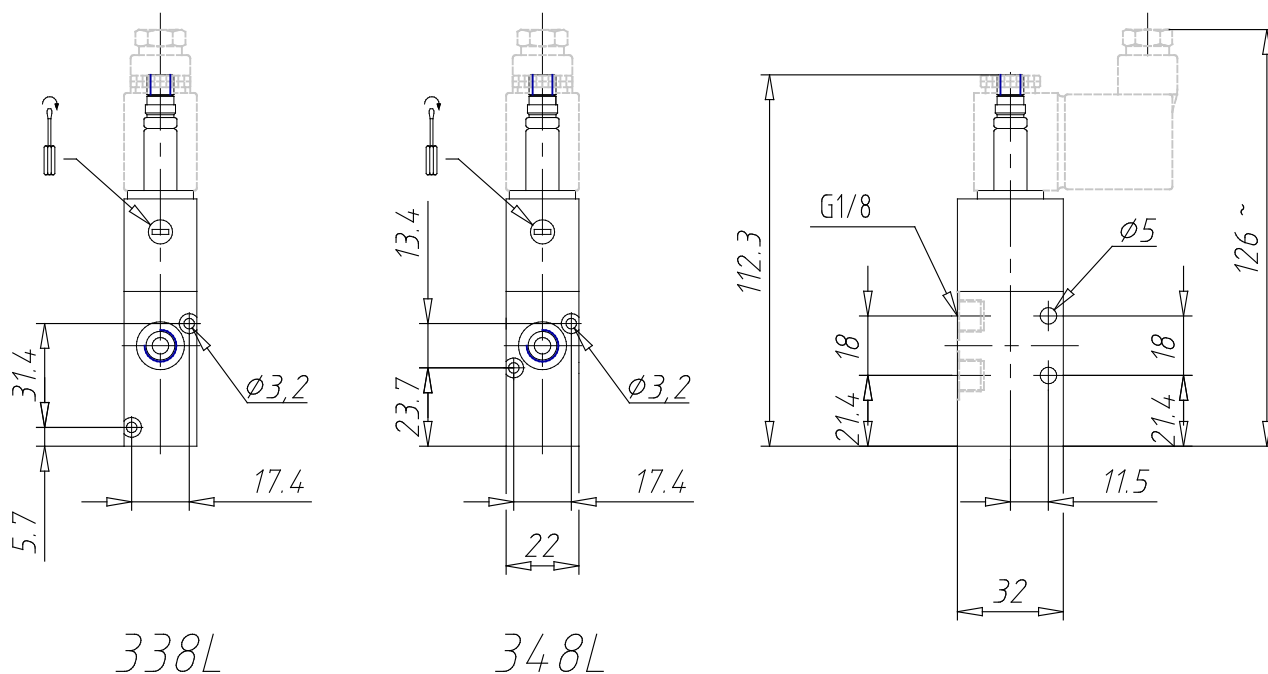


TECHNICAL DATA

Mod.	338-015-02
Mounting	in-line
Function	3/2 NC
Flow rate (NI/min)	700
Operating pressure	2.5-10
Manual override	= bistabile standard
Dimensions of the solenoid	G7 = PA / 22 x 22
Solenoid voltage	H = 12 V DC

3/2 ways G1/8 solenoid valve, monostable - Series 3

Product code: 338-015-02-G7H



DIMENSIONS

Mod.	338-015-02
Mounting	in-line
Function	3/2 NC
Flow rate (NI/min)	700
Operating pressure	2.5-10
Manual override	= bistabile standard
Dimensions of the solenoid	G7 = PA / 22 x 22
Solenoid voltage	H = 12 V DC