

## 3/2 ways G1/8 solenoid valve, monostable - Series 3

Product code: 338-015-02IL

Datasheet creation date: 10/03/2025 10:59

Check the most updated document online [click here](#)

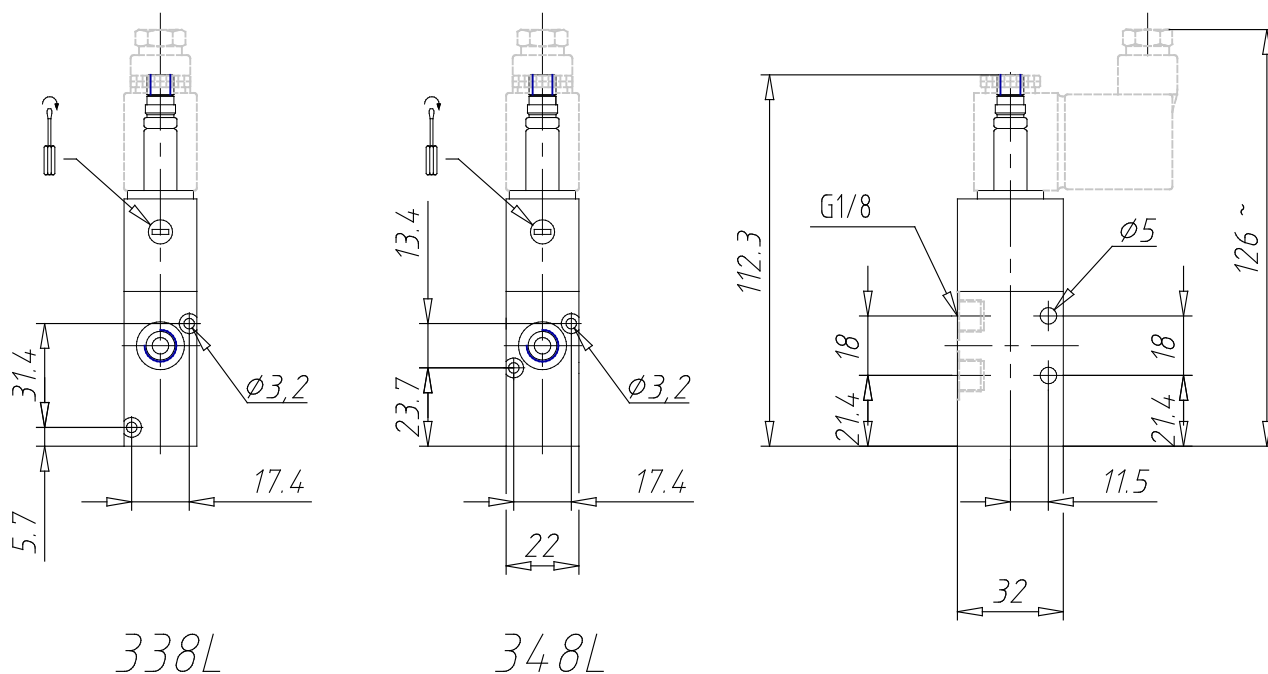


### TECHNICAL DATA

|                                   |   |
|-----------------------------------|---|
| <b>Mod.</b>                       | 338-015-02                                      |
| <b>Mounting</b>                   | in-line   |
| <b>Function</b>                   | 3/2 NC  |
| <b>Flow rate (NI/min)</b>         | 700   |
| <b>Operating pressure</b>         | 2.5-10  |
| <b>Manual override</b>            | IL = bistable, lever type (available on demand) |
| <b>Dimensions of the solenoid</b> | No solenoid                                     |
| <b>Solenoid voltage</b>           |   |

### 3/2 ways G1/8 solenoid valve, monostable - Series 3

Product code: 338-015-02IL



#### DIMENSIONS

|                                   |  |
|-----------------------------------|--|
| <b>Mod.</b>                       | 338-015-02   |
| <b>Mounting</b>                   | in-line  |
| <b>Function</b>                   | 3/2 NC   |
| <b>Flow rate (NI/min)</b>         | 700  |
| <b>Operating pressure</b>         | 2.5-10   |
| <b>Manual override</b>            | IL = bistable, lever type<br>(available on demand) |
| <b>Dimensions of the solenoid</b> | No solenoid  |
| <b>Solenoid voltage</b>           |  |