

## Manually operated valves - Series 1,3,4

Product code: 338-977

Datasheet creation date: 10/03/2025 12:07

Check the most updated document online [click here](#)

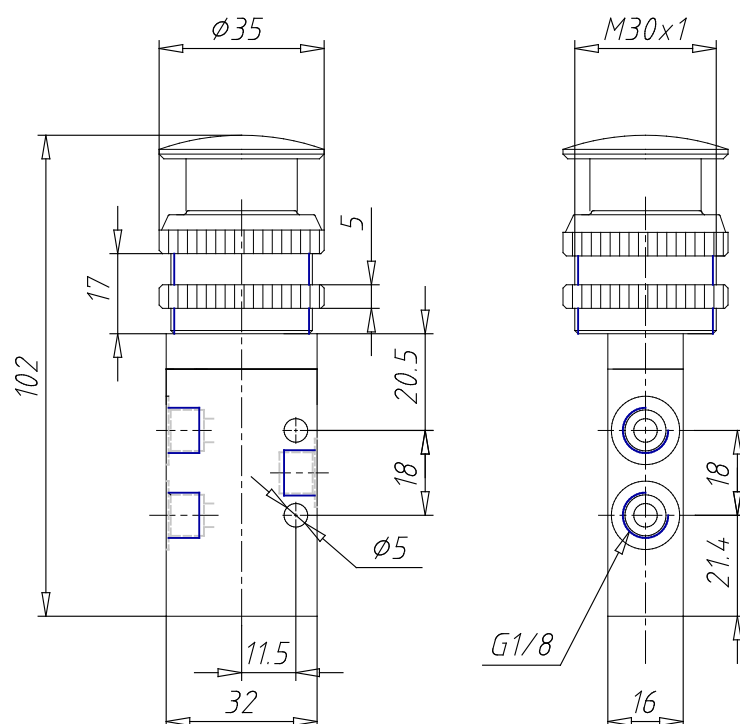


### TECHNICAL DATA

|                                 |         |
|---------------------------------|---------|
| <b>Mod.</b>                     | 338-977 |
| <b>Actuating force (N)</b>      | 35      |
| <b>Operating pressure (bar)</b> | -0.9+10 |
| <b>Flow rate (Nl/min)</b>       | 700     |

## Manually operated valves - Series 1,3,4

Product code: 338-977



### DIMENSIONS

|                                 |         |
|---------------------------------|---------|
| <b>Mod.</b>                     | 338-977 |
| <b>Actuating force (N)</b>      | 35      |
| <b>Operating pressure (bar)</b> | -0.9÷10 |
| <b>Flow rate (NI/min)</b>       | 700     |