

## sensitive lever spring return - Valves series 338-D15-9A5

Product code: 338-D15-9A5

Datasheet creation date: 10/03/2025 12:08

Check the most updated document online [click here](#)

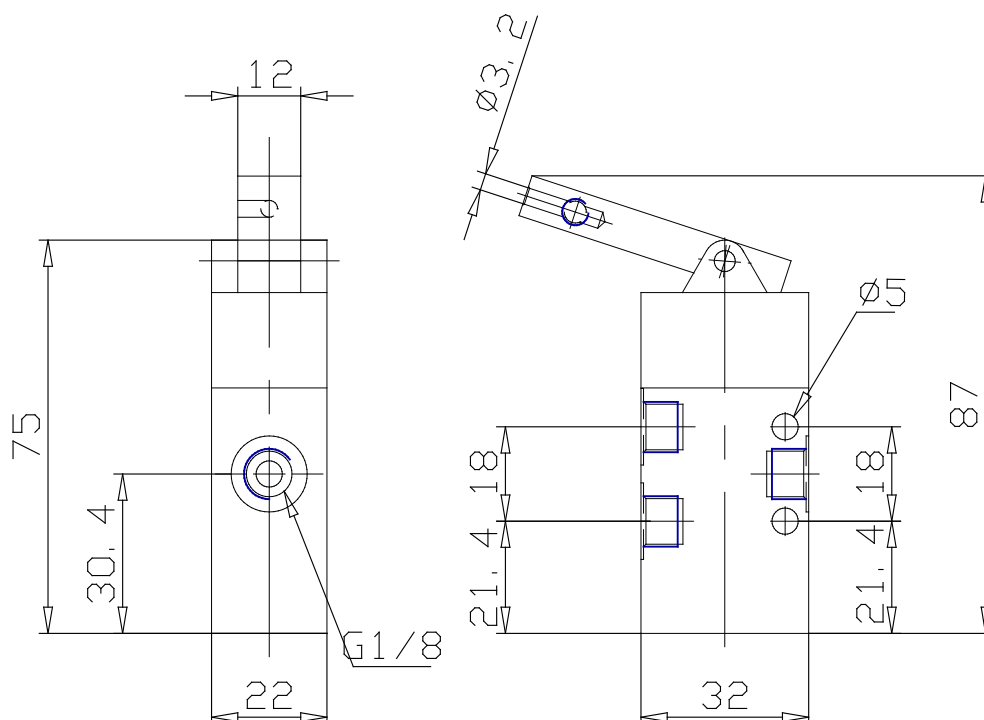


### TECHNICAL DATA

<b>Mod.</b>	338-D15-9A5
<b>Operating pressure (bar)</b>	4+10 bar
<b>Flow rate</b>	700NL/min
<b>Actuating force</b>	2N
<b>Activity</b>	sensitive lever spring return

## sensitive lever spring return - Valves series 338-D15-9A5

Product code: 338-D15-9A5



### DIMENSIONS

<b>Mod.</b>	338-D15-9A5
<b>Operating pressure (bar)</b>	4÷10 bar
<b>Flow rate</b>	700NL/min
<b>Actuating force</b>	2N
<b>Activity</b>	sensitive lever spring return