

3/2-way solenoid valve, G1/8, bistable - Series 3

Product code: 338L-011-02IL

Datasheet creation date: 10/03/2025 10:59

Check the most updated document online [click here](#)

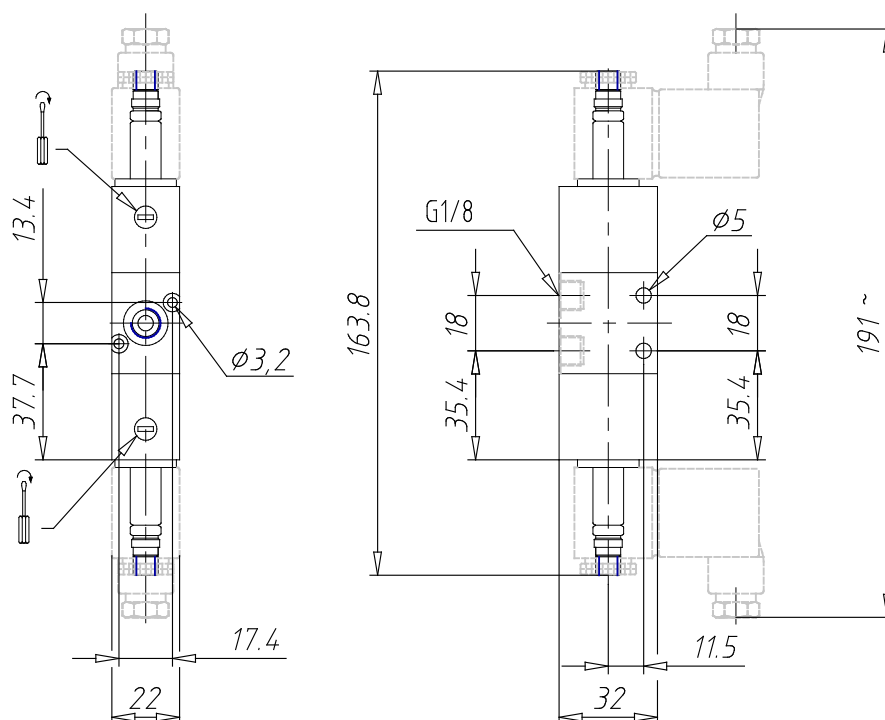


TECHNICAL DATA

| | |
|-----------------------------------|---|
| Mod. | 338L-011-02 |
| Mounting | on manifold |
| Function | 3/2 |
| Flow rate (NI/min) | 700 |
| Operating pressure | 1.5/10 |
| Manual override | IL = bistable, lever type (available on demand) |
| Dimensions of the solenoid | No solenoid |
| Solenoid voltage | |

3/2-way solenoid valve, G1/8, bistable - Series 3

Product code: 338L-011-02IL



DIMENSIONS

| | |
|-----------------------------------|--|
| Mod. | 338L-011-02 |
| Mounting | on manifold |
| Function | 3/2 |
| Flow rate (NI/min) | 700 |
| Operating pressure | 1.5/10 |
| Manual override | IL = bistable, lever type (available on demand) |
| Dimensions of the solenoid | No solenoid |
| Solenoid voltage | |