

3/2-way solenoid valve, G1/4, monostable - Mod. 334... Mod 344... - Series 3

Product code: 344-E15-02IM

Datasheet creation date: 10/03/2025 10:57

Check the most updated document online [click here](#)

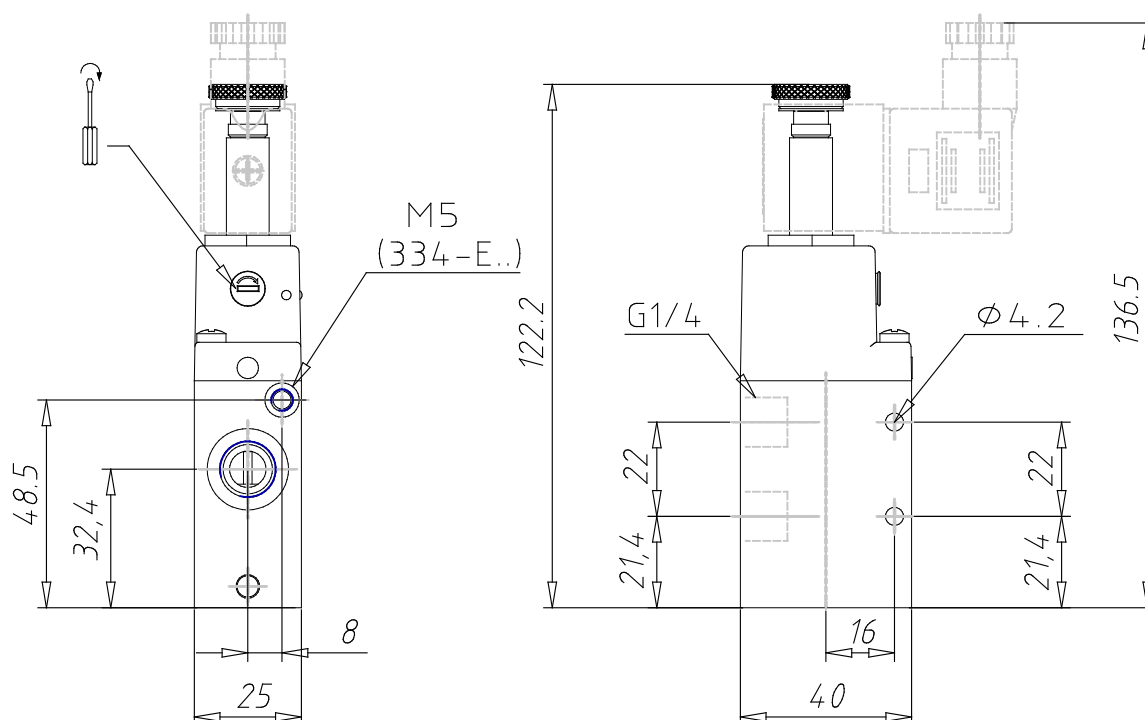


TECHNICAL DATA

Mod.	344-E15-02
Mounting	In-line
Function	3/2NO
Flow rate (NI/min)	1300
Operating pressure	-0.9 ÷ 10
Pilot pressure	2.5 ÷ 10
Manual override	IM = monostable (available on demand)
Dimensions of the solenoid	No solenoid
Solenoid voltage	

3/2-way solenoid valve, G1/4, monostable - Mod. 334... Mod 344... - Series 3

Product code: 344-E15-02IM



DIMENSIONS

Mod.	344-E15-02
Mounting	In-line
Function	3/2NO
Flow rate (NI/min)	1300
Operating pressure	-0.9 ÷ 10
Pilot pressure	2.5 ÷ 10
Manual override	IM = monostable (available on demand)
Dimensions of the solenoid	No solenoid
Solenoid voltage	